

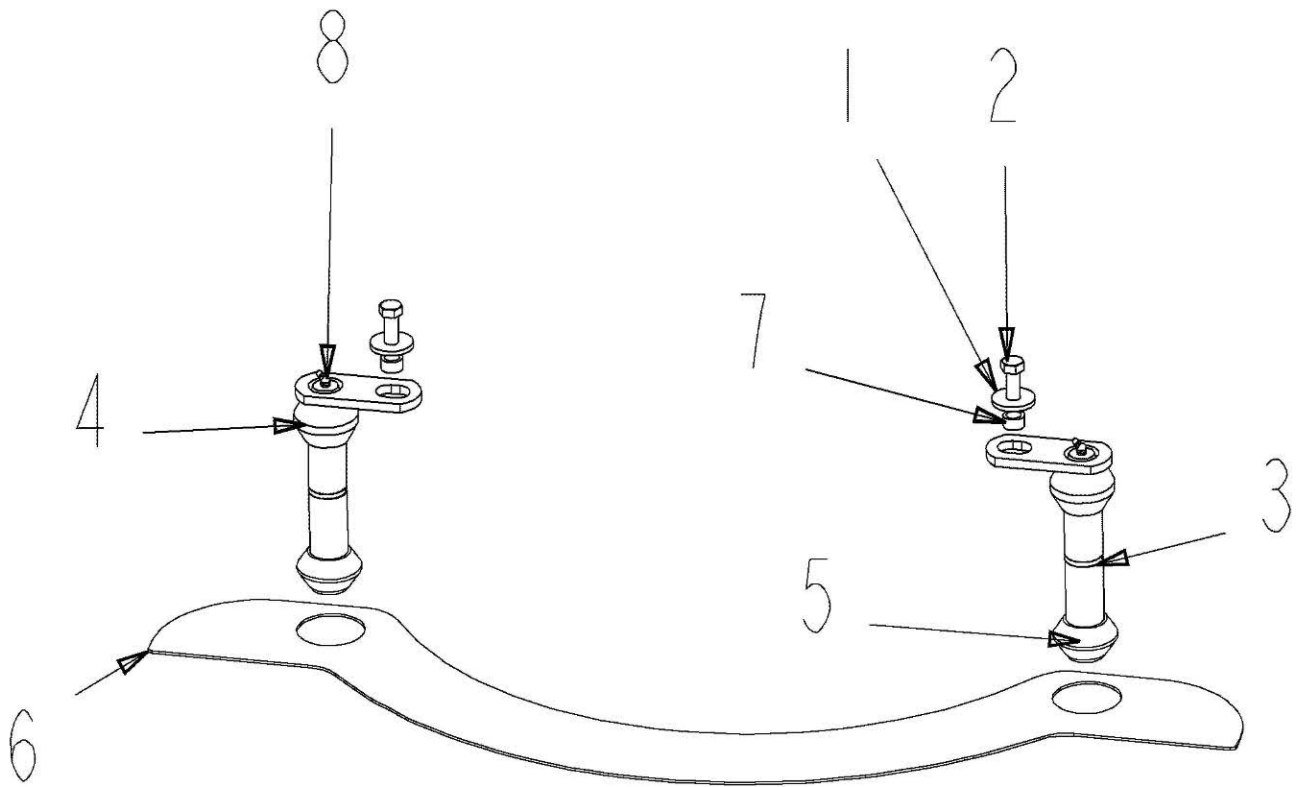
TABLE OF CONTENTS**ACCESSORIES**

| | |
|-------------------------------------------------------------------------------------------------------------|---------|
| 519518D1 - ARTICULATED FRONT FRAME STEERING CYLINDER MOUNTS REPAIR KIT APPLIES TO ALL TRACTORS BUILT. | 19-0001 |
| 519695D1 - ARTICULATED FRONT FRAME UPPER ARTICULATION PIN HOLE REPAIR KIT APPLIES TO ALL TRACTORS BUILT. | 19-0002 |
| 519697D1 - ARTICULATED REAR FRAME STEERING CYLINDER MOUNTS REPAIR KIT APPLIES TO ALL TRACTORS BUILT. | 19-0003 |
| 519698D1 - ARTICULATED REAR FRAME UPPER LINK REPAIR KIT APPLIES TO ALL TRACTORS BUILT. | 19-0004 |
| 545918D1 - ARTICULATED FRONT FRAME REPAIR KIT APPLIES TO ALL TRACTORS BUILT. | 19-0005 |
| 536213D1 - BEARING DRIVER GROUP | 19-0006 |
| 502777D1 - CAB SIDE VISORS GROUP, FIELD INSTALLED | 19-0007 |
| 533440D1 - STEERING KIT, ELECTRONIC ENHANCED | 19-0008 |
| 539686D1 - FIELD ACCESSORIES, TELEMETRY | 19-0009 |
| 574197D1 - FIELD ACCESSORIES - AG14 TOPDOCK KIT | 19-0010 |
| 545083D1 - TELEMETRY HARDWARE KIT | 19-0011 |
| 577266D1 - TERMINAL INSTALLATION, C3000, AG3000 - FIELD INSTALLATION KIT | 19-0012 |
| 583177D1 - TERMINAL INSTALLATION, C3000 READY - FIELD KIT | 19-0013 |
| 577776D1 - HYDRAULIC IMPLEMENT PUMP, 85 GPM | 19-0014 |
| 577776D1 - HYDRAULIC IMPLEMENT PUMP, 85 GPM | 19-0015 |
| 578133D1 - LIGHTING KIT, DELUXE TO DOUBLE HID, FIELD INSTALLATION - 2016 | 19-0016 |
| 604115D1 - HOOD LIGHTING ARRANGEMENT, LED, WORKLIGHT - FIELD ACCESSORIES | 19-0017 |
| 604113D1 - HOOD LIGHTING ARRANGEMENT, LED - FIELD ACCESSORIES | 19-0018 |
| 581613D1 - LED LIGHTING ARRANGEMENT | 19-0019 |
| 581602D1 - WORKLIGHT INSTALLATION, HALOGEN - 2016 | 19-0020 |
| 576687D1 - RADIO KIT, WITHOUT ANTENNA - FIELD INSTALLATION KIT | 19-0021 |
| 576692D1 - RADIO KIT, DELUXE - FIELD INSTALLATION KIT | 19-0022 |
| 576697D1 - RADIO, DELUXE - RADIO KIT INSTALLATION, XM | 19-0023 |
| 572483D1 - AIR COMPRESSOR KIT - AIR TANK | 19-0024 |
| 555523D1 - FLAT FACE IMPLEMENT CASE DRAIN KIT - DRAWBAR | 19-0025 |
| 555524D1 - PIONEER IMPLEMENT CASE DRAIN KIT - DRAWBAR | 19-0026 |
| 576366D1 - PIONEER IMPLEMENT CASE DRAIN KIT | 19-0027 |
| 555525D1 - HYDRAULIC TRAILER BRAKE KIT, DRAWBAR | 19-0028 |
| 555526D1 - HYDRAULIC TRAILER BRAKE KIT, HITCH | 19-0029 |
| 576365D1 - IMPLEMENT LINES - CASE DRAIN KIT | 19-0030 |
| 576028D1 - WIDE SWINGING DRAWBAR HITCH ARRANGEMENT - CATEGORY 4 DRAWBAR WIDE SWINGING KIT | 19-0031 |
| 534451D1 - 1/2 INCH TOP OR MIDDLE COUPLER CONVERSION KIT | 19-0032 |
| 534450D1 - 1/2 INCH BOTTOM COUPLER CONVERSION KIT | 19-0033 |

TABLE OF CONTENTS**ACCESSORIES**

| | |
|--------------------------------------------------------------------------------------------------------|---------|
| 534076D1 - 3/4 INCH TOP OR MIDDLE COUPLER CONVERSION KIT | 19-0034 |
| 534075D1 - 3/4 INCH BOTTOM COUPLER CONVERSION KIT | 19-0035 |
| 522950D1 - 3/4 INCH POWER BEYOND COUPLER GROUP - GREATER THAN 60 LITERS PER MINUTE | 19-0036 |
| 524839D1 - 3/4 INCH POWER BEYOND COUPLER GROUP, WITH 3 POINT HITCH - GREATER THAN 60 LITERS PER MINUTE | 19-0037 |
| 532773D1 - 4 TO 5 IMPLEMENT VALVE ARRANGEMENT WITH 3 POINT HITCH | 19-0038 |
| 524531D1 - 4 TO 5 IMPLEMENT VALVE CONVERSION KIT | 19-0039 |
| 530424D1 - 4 TO 6 VALVE, 3/4 INCH HIGH FLOW VALVE CONVERSION KIT | 19-0040 |
| 524532D1 - 5 TO 6 STANDARD IMPLEMENT VALVE CONVERSION KIT | 19-0041 |
| 534448D1 - THREADED PORTS COUPLER KIT | 19-0042 |
| 529601D1 - PTO KIT, FIELD INSTALLATION | 19-0043 |
| 533530D1 - TRANSMISSION CONTROL HANDLE PUSHBUTTON SWITCHES KIT | 19-0044 |
| APPLIES TO ALL TRACTORS BUILT. | |

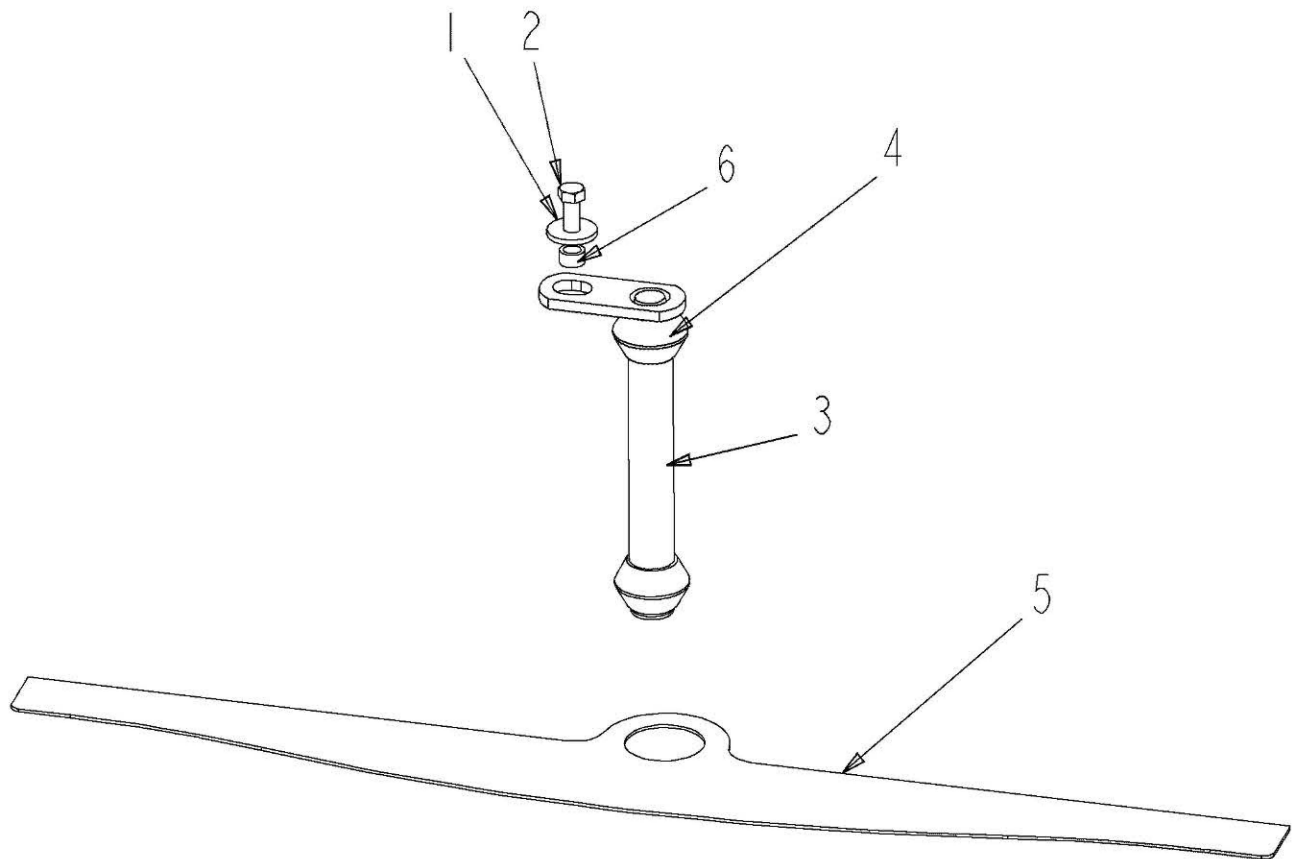
519518D1-01-T989



519518D1 - ARTICULATED FRONT FRAME STEERING CYLINDER MOUNTS REPAIR KIT

| ITEM | PART NUMBER | QTY | DESCRIPTION COMMENTS | TECHNICAL SPECIFICATION |
|------|-------------|-----|---------------------------------------|--------------------------|
| | | | APPLIES TO ALL TRACTORS BUILT. | |
| | 519518D1 | 1 | REPAIR KIT | |
| 1 | 400078X1 | 2 | FLAT WASHER | 16.5MM X 50MM X 5MM |
| 2 | 400244X1 | 2 | BOLT | M16 X 2 X 45MM, CL10.9 |
| 3 | 519149D1 | 2 | PIN | |
| 4 | 519436D1 | 2 | DISC FRAME | |
| 5 | 519685D1 | 2 | DISC FRAME | |
| 6 | 519926D1 | 1 | TEMPLATE FRONT | |
| 7 | CH200-0010 | 2 | SPACER | 17.5MM X 25.4MM X 12.5MM |
| 8 | CH3B-8485 | 2 | UNION | |

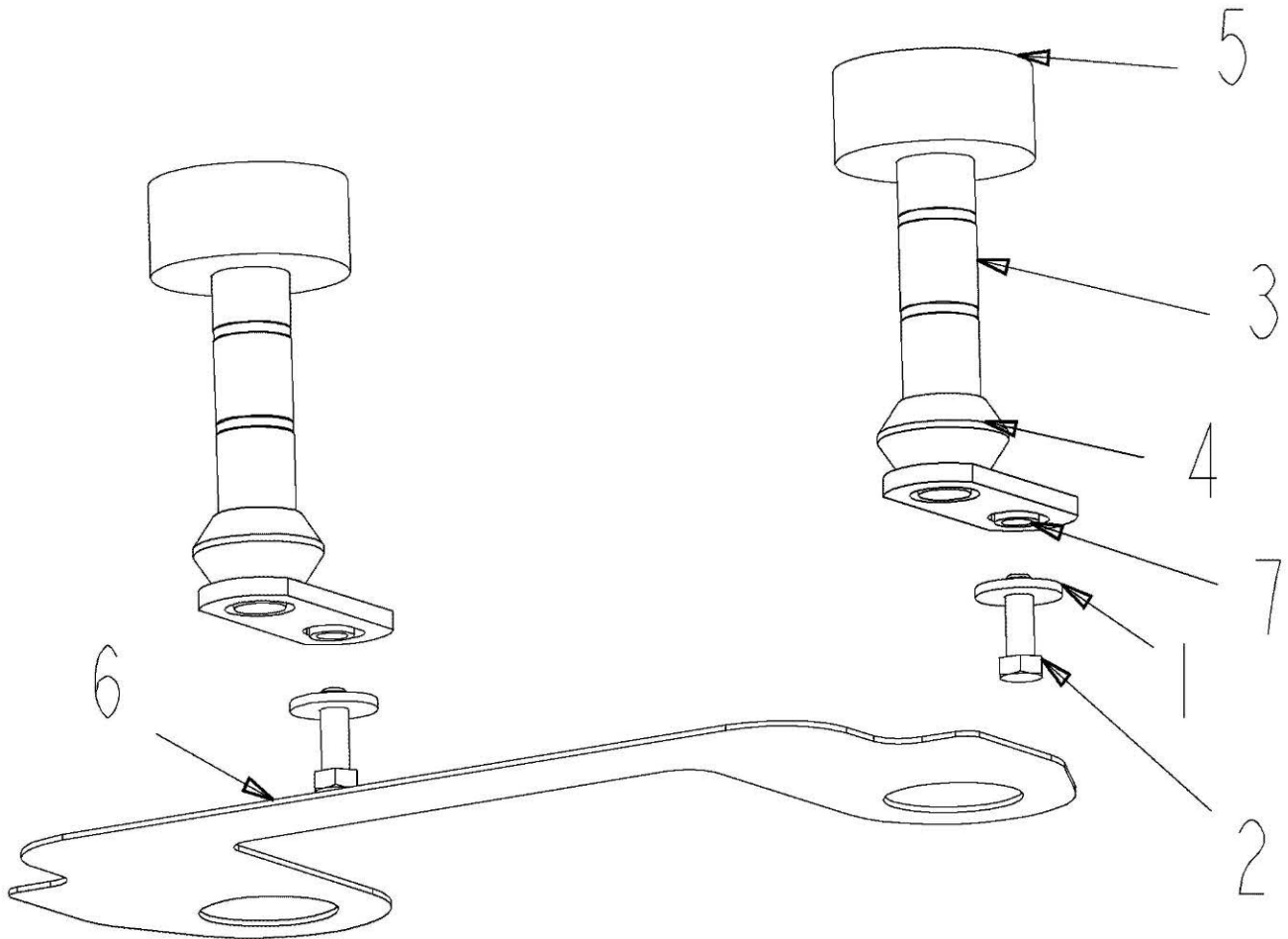
519695D1-01-T989



519695D1 - ARTICULATED FRONT FRAME UPPER ARTICULATION PIN HOLE REPAIR KIT

| ITEM | PART NUMBER | QTY | DESCRIPTION COMMENTS | TECHNICAL SPECIFICATION |
|------|-------------|-----|---------------------------------------|--------------------------|
| | | | APPLIES TO ALL TRACTORS BUILT. | |
| | 519695D1 | 1 | REPAIR KIT | |
| 1 | 400078X1 | 1 | FLAT WASHER | 16.5MM X 50MM X 5MM |
| 2 | 400191X1 | 1 | HEXAGONAL HEAD BOLT | M16 X 2 X 40MM, CL 10.9 |
| 3 | 506012D1 | 1 | PIN | |
| 4 | 519687D1 | 2 | DISC FRAME | |
| 5 | 519928D1 | 1 | TEMPLATE FRONT | |
| 6 | CH200-0010 | 1 | SPACER | 17.5MM X 25.4MM X 12.5MM |

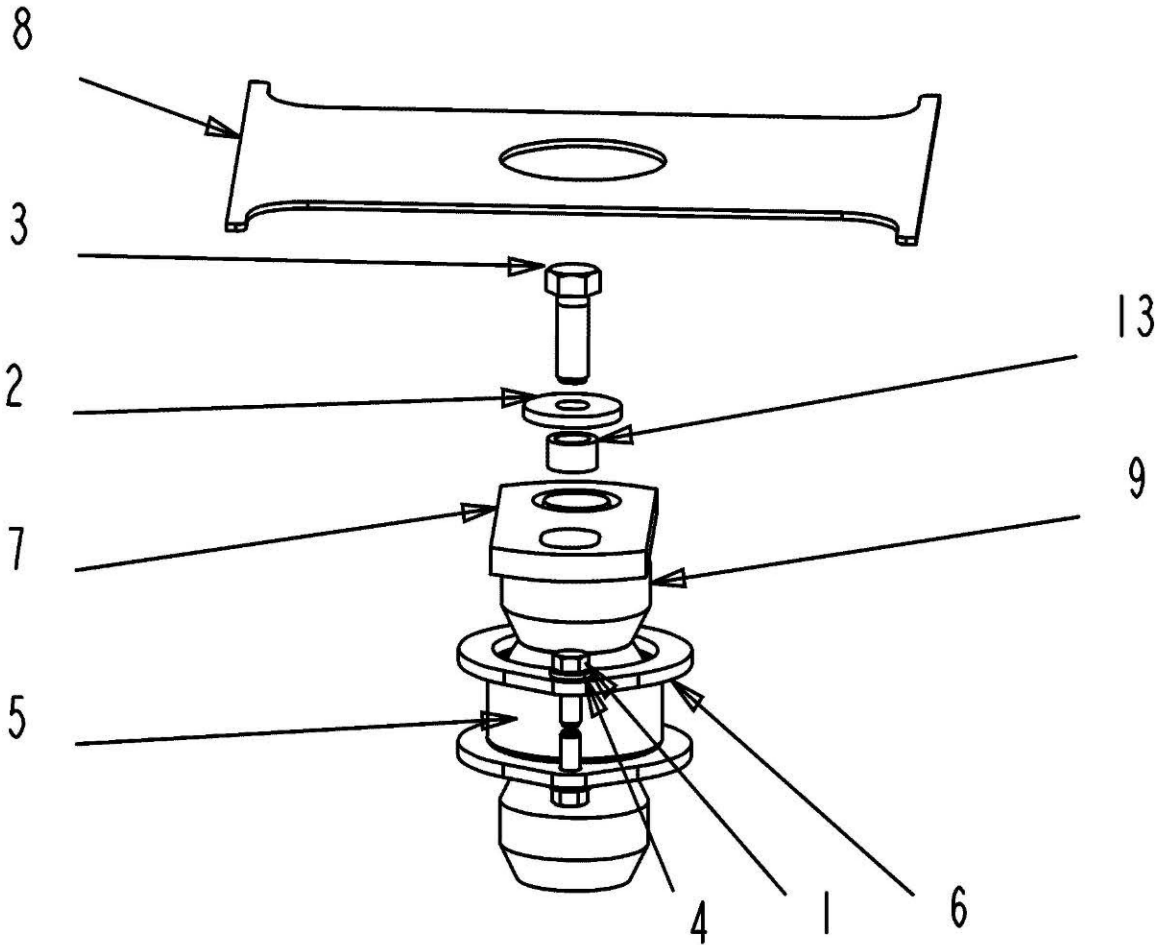
519697D1-01-T989



519697D1 - ARTICULATED REAR FRAME STEERING CYLINDER MOUNTS REPAIR KIT

| ITEM | PART NUMBER | QTY | DESCRIPTION COMMENTS | TECHNICAL SPECIFICATION |
|------|-------------|-----|---------------------------------------|--------------------------|
| | | | APPLIES TO ALL TRACTORS BUILT. | |
| | 519697D1 | 1 | REPAIR KIT | |
| 1 | 400078X1 | 2 | FLAT WASHER | 16.5MM X 50MM X 5MM |
| 2 | 400244X1 | 2 | BOLT | M16 X 2 X 45MM, CL10.9 |
| 3 | 519152D1 | 2 | PIN | |
| 4 | 519685D1 | 2 | DISC FRAME | |
| 5 | 519688D1 | 2 | DISC FRAME, REAR | |
| 6 | 519929D1 | 1 | TEMPLATE REAR | |
| 7 | CH200-0010 | 2 | SPACER | 17.5MM X 25.4MM X 12.5MM |

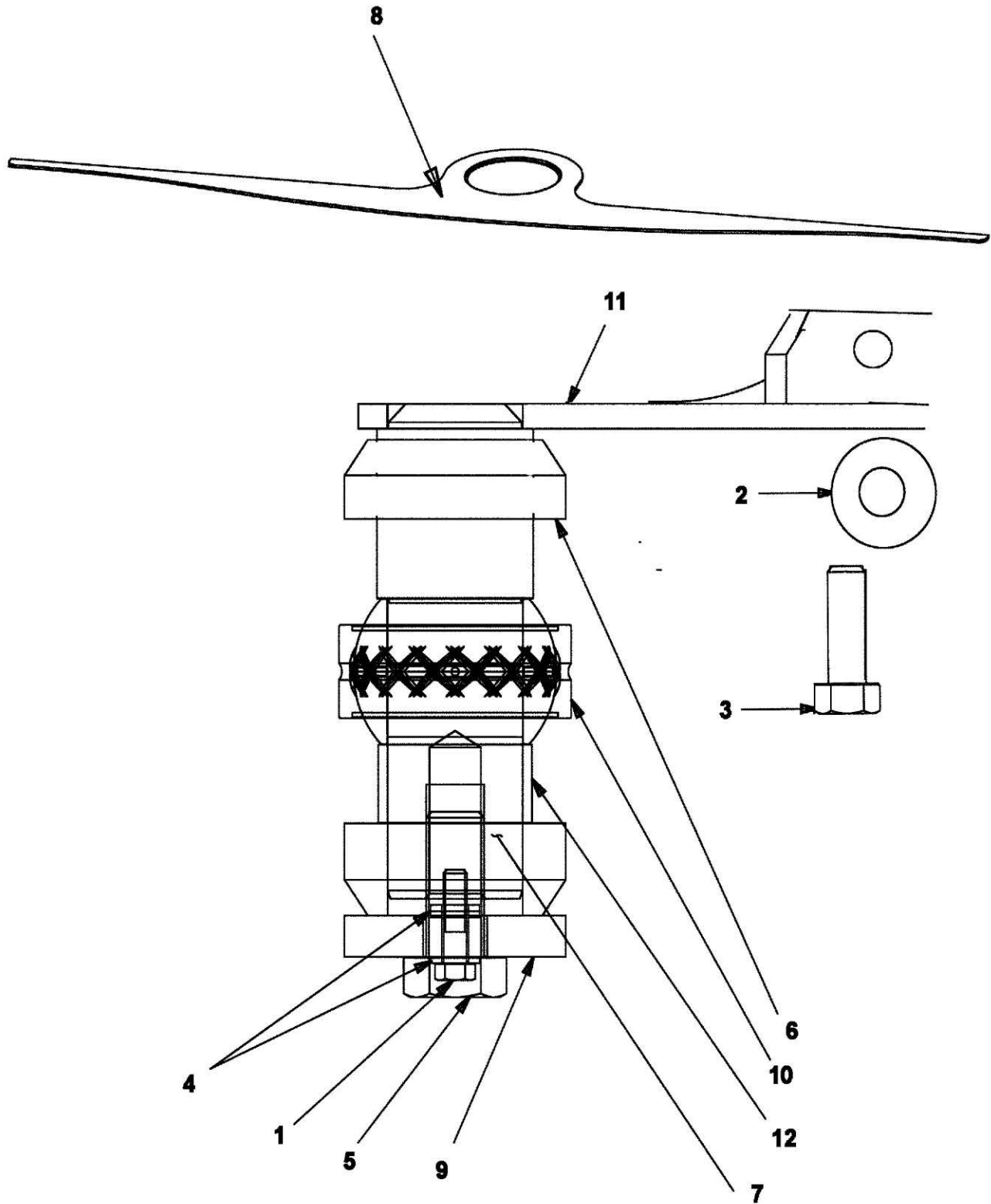
519698D1-02-W862



519698D1 - ARTICULATED REAR FRAME UPPER LINK REPAIR KIT

| ITEM | PART NUMBER | QTY | DESCRIPTION COMMENTS | TECHNICAL SPECIFICATION |
|------|-------------|-----|---------------------------------------|--------------------------|
| | | | APPLIES TO ALL TRACTORS BUILT. | |
| | 519698D1 | 1 | KIT, FRAME | REAR FRAME REPAIR |
| 1 | 400039X1 | 4 | HEXAGONAL HEAD BOLT | M10 X 1.5 X 25MM, CL10.9 |
| 2 | 400078X1 | 1 | FLAT WASHER | 16.5MM X 50MM X 5MM |
| 3 | 400191X1 | 1 | HEXAGONAL HEAD BOLT | M16 X 2 X 40MM, CL 10.9 |
| 4 | 400287X1 | 4 | FLAT WASHER | 11MM X 21MM X 2.5MM |
| 5 | 573086D1 | 1 | SPHERICAL BEARING | 50MM X 90MM X 36MM |
| 6 | 511445D1 | 2 | BEARING RETAINER | |
| 7 | 570102D1 | 1 | PIN | 50MM DIA X 158MM |
| 8 | 519927D1 | 1 | TEMPLATE REAR | REAR FRAME REPAIR |
| 9 | 520147D1 | 2 | DISC FRAME, REAR | REAR FRAME REPAIR |
| 13 | CH200-0010 | 1 | SPACER | 17.5MM X 25.4MM X 12.5MM |

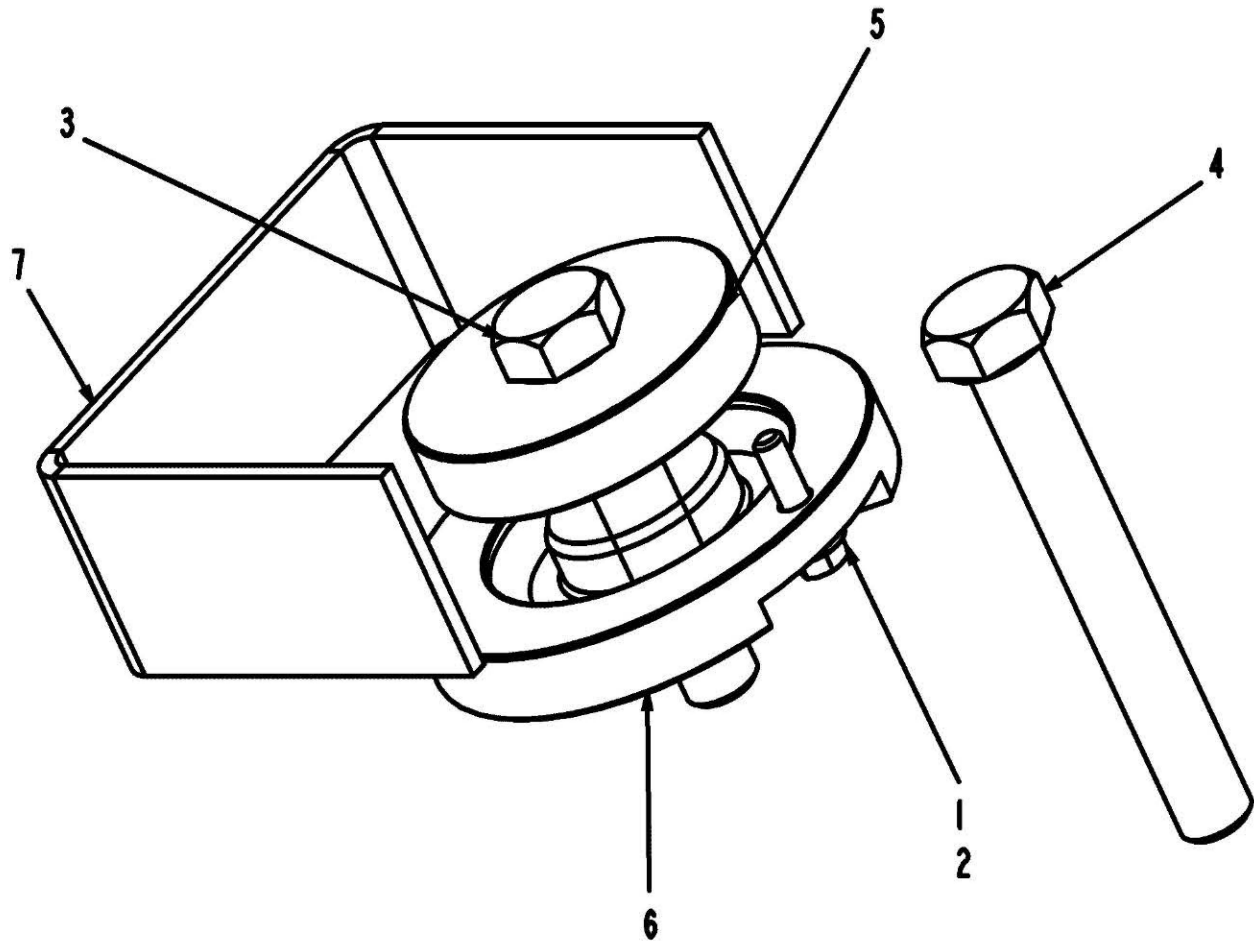
545918D1-02-W862



545918D1 - ARTICULATED FRONT FRAME REPAIR KIT

| ITEM | PART NUMBER | QTY | DESCRIPTION COMMENTS | TECHNICAL SPECIFICATION |
|------|-------------|-----|---------------------------------------|----------------------------|
| | | | APPLIES TO ALL TRACTORS BUILT. | |
| | 545918D1 | 1 | REPAIR KIT | FRT REPAIR |
| 1 | 400051X1 | 1 | HEXAGONAL HEAD BOLT | M12 X 1.75 X 45MM, CL 10.9 |
| 2 | 400078X1 | 1 | FLAT WASHER | 16.5MM X 50MM X 5MM |
| 3 | 400191X1 | 1 | HEXAGONAL HEAD BOLT | M16 X 2 X 40MM, CL 10.9 |
| 4 | 400357X1 | 3 | FLAT WASHER | M12 X 25.5 X 3MM |
| 5 | 401910X1 | 1 | BOLT | M30X3.5X70MM HHD10.9 |
| 6 | 519686D1 | 1 | DISC FRAME | FRAME REPAIR |
| 7 | 519694D1 | 1 | DISC FRAME | FRAME REPAIR |
| 8 | 519930D1 | 1 | TEMPLATE FRONT | FRONT FRAME REPAIR |
| 9 | 531337D1 | 1 | PLATE | |
| 10 | 535112D1 | 1 | SPHERICAL BEARING | 70MM ID X 120MM OD |
| 11 | 536177D1 | 1 | PIN | 80.7 IDX266 |
| 12 | 536436D1 | 1 | BUSHING | |

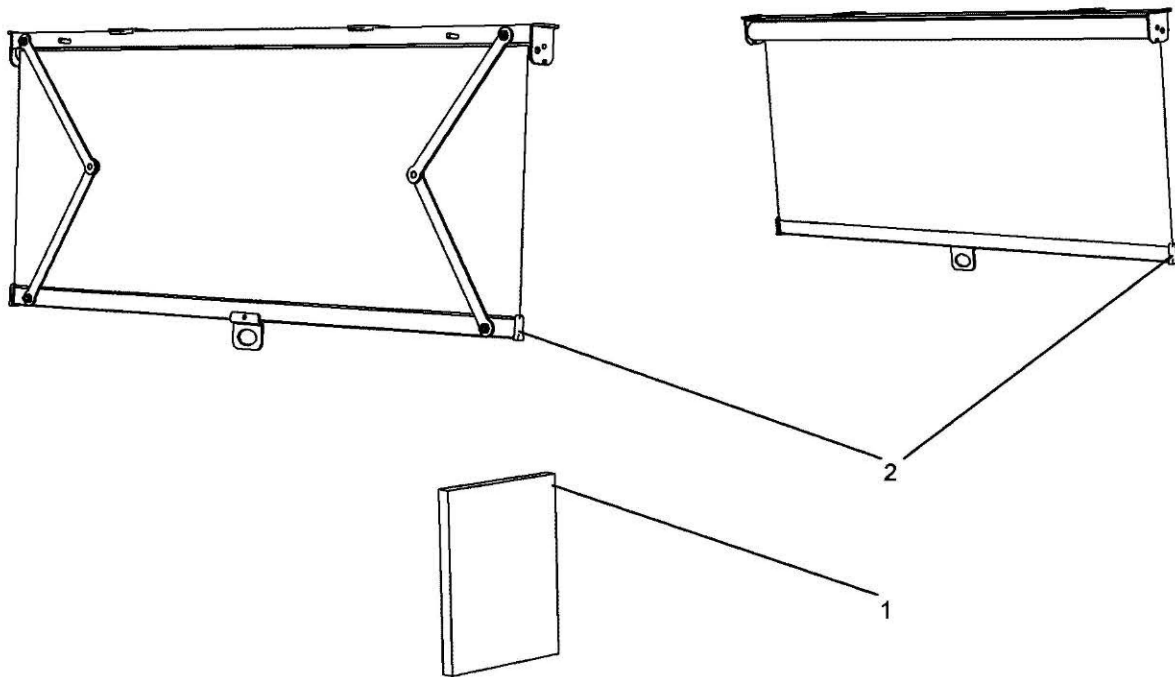
536213D1-01-W804



536213D1 - BEARING DRIVER GROUP

| ITEM | PART NUMBER | QTY | DESCRIPTION COMMENTS | TECHNICAL SPECIFICATION |
|------|-------------|-----|----------------------|--------------------------|
| 1 | 400052X1 | 2 | HEXAGONAL HEAD BOLT | M10 X 1.5 X 40MM, CL10.9 |
| 2 | 400287X1 | 2 | FLAT WASHER | 11MM X 21MM X 2.5MM |
| 3 | 402093X1 | 1 | BOLT | 1-14 NF X 5, G5, S, HHD |
| 4 | 402094X1 | 1 | BOLT | 1-14 NF X 7, G5, S, HHD |
| 5 | 536188D1 | 1 | BEARING | DRIVE UPPER |
| 6 | 536189D1 | 1 | BEARING | DRIVE LOWER |
| 7 | 536240D1 | 1 | SPACER | |

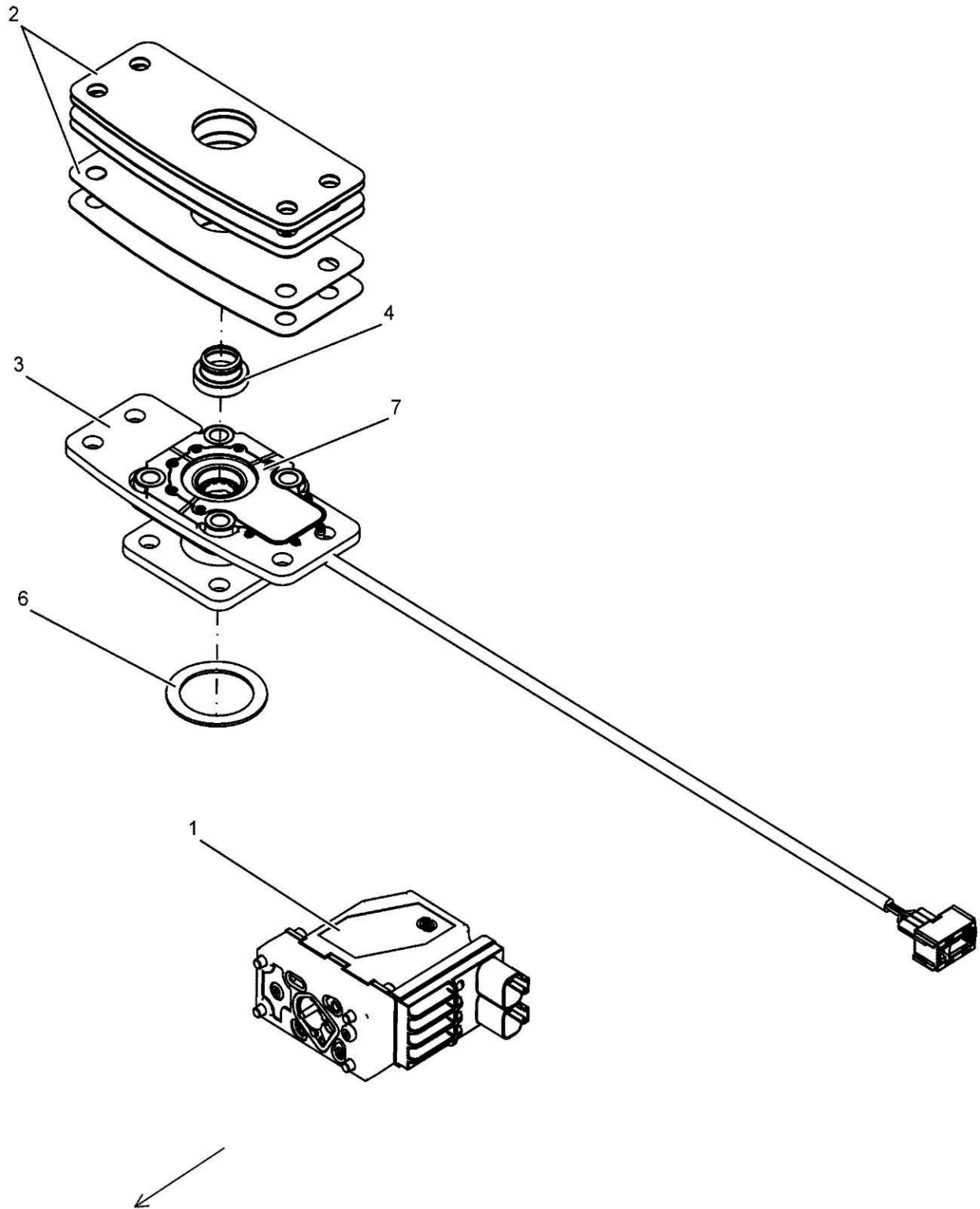
502777D1-01-K768



502777D1 - CAB SIDE VISORS GROUP, FIELD INSTALLED

| ITEM | PART NUMBER | QTY | DESCRIPTION COMMENTS | TECHNICAL SPECIFICATION |
|------|-------------|-----|----------------------------------------------|-------------------------|
| | 502777D1 | 1 | SUN VISOR | |
| 1 | 79023352 | 1 | INSTRUCTIONS | |
| 2 | 502777D1 | 1 | SUN VISOR VISOR GROUP SEE PAGE 10-0015 | |

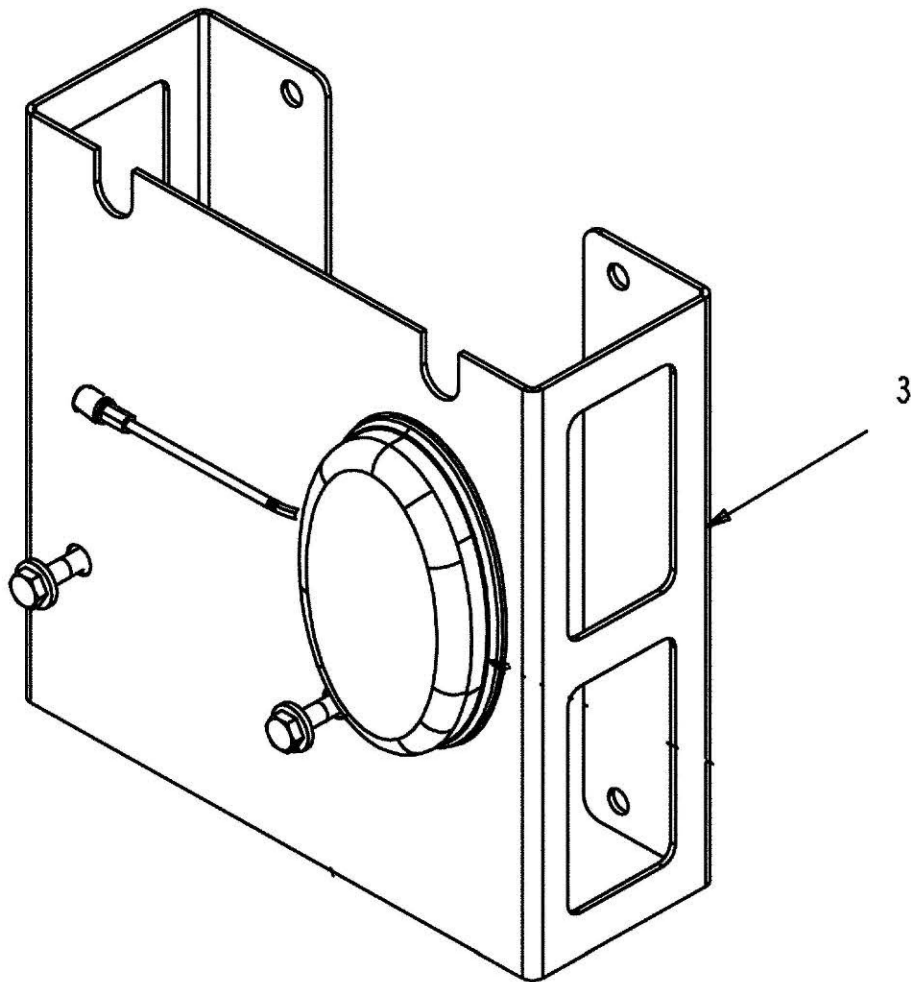
533440D1-4-AA091



533440D1 - STEERING KIT, ELECTRONIC ENHANCED

| ITEM | PART NUMBER | QTY | DESCRIPTION COMMENTS | TECHNICAL SPECIFICATION |
|------|-------------|-----|---------------------------|-------------------------|
| | 533440D1 | 1 | AUTO-GUIDE KIT | |
| 1 | 528548D1 | 1 | KIT, STEERING PVED | |
| 2 | 529983D1 | 6 | SHIM | HANDPUMP |
| 3 | 530012D1 | 1 | MOUNTING HANDPUMP | HANDPUMP WLDMT |
| 4 | 530242D1 | 1 | SHAFT SEAL RADIAL | RADIAL |
| | 533031D1 | 1 | INSTRUCTIONS NOT SHOWN | |
| 6 | 534035D1 | 1 | GASKET | FOAM SAS |
| 7 | ACZ0001550 | 1 | SASA II SENSOR | |

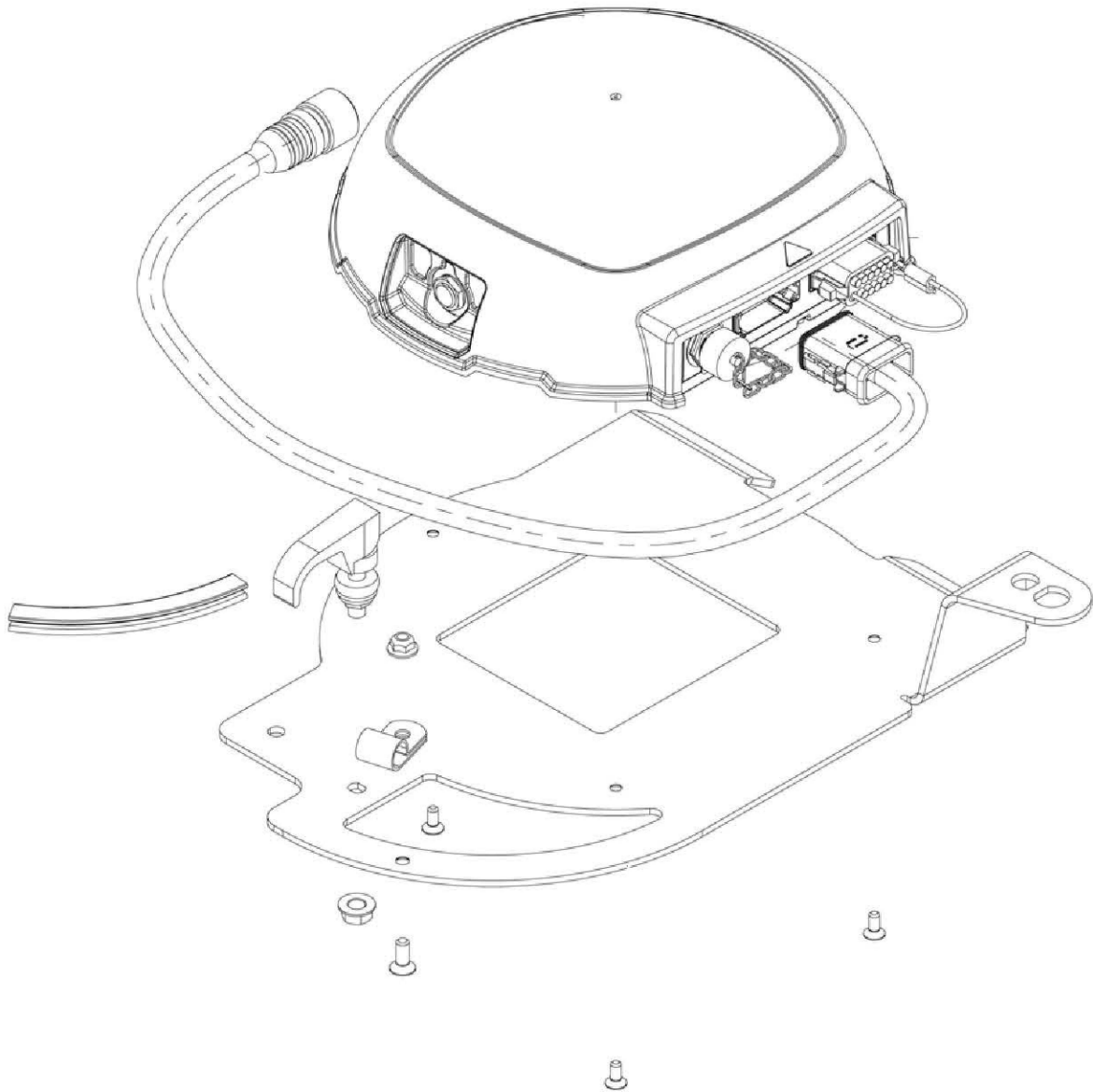
539686D1-2-Y067



539686D1 - FIELD ACCESSORIES, TELEMETRY

| ITEM | PART NUMBER | QTY | DESCRIPTION COMMENTS | TECHNICAL SPECIFICATION |
|------|-------------|-----|-------------------------------------------|-------------------------|
| | 539686D1 | 1 | TELEMETRY KIT | |
| 3 | 544708D1 | 1 | SATELLITE ANTENNA KIT SEE PAGE 17-0008 | |

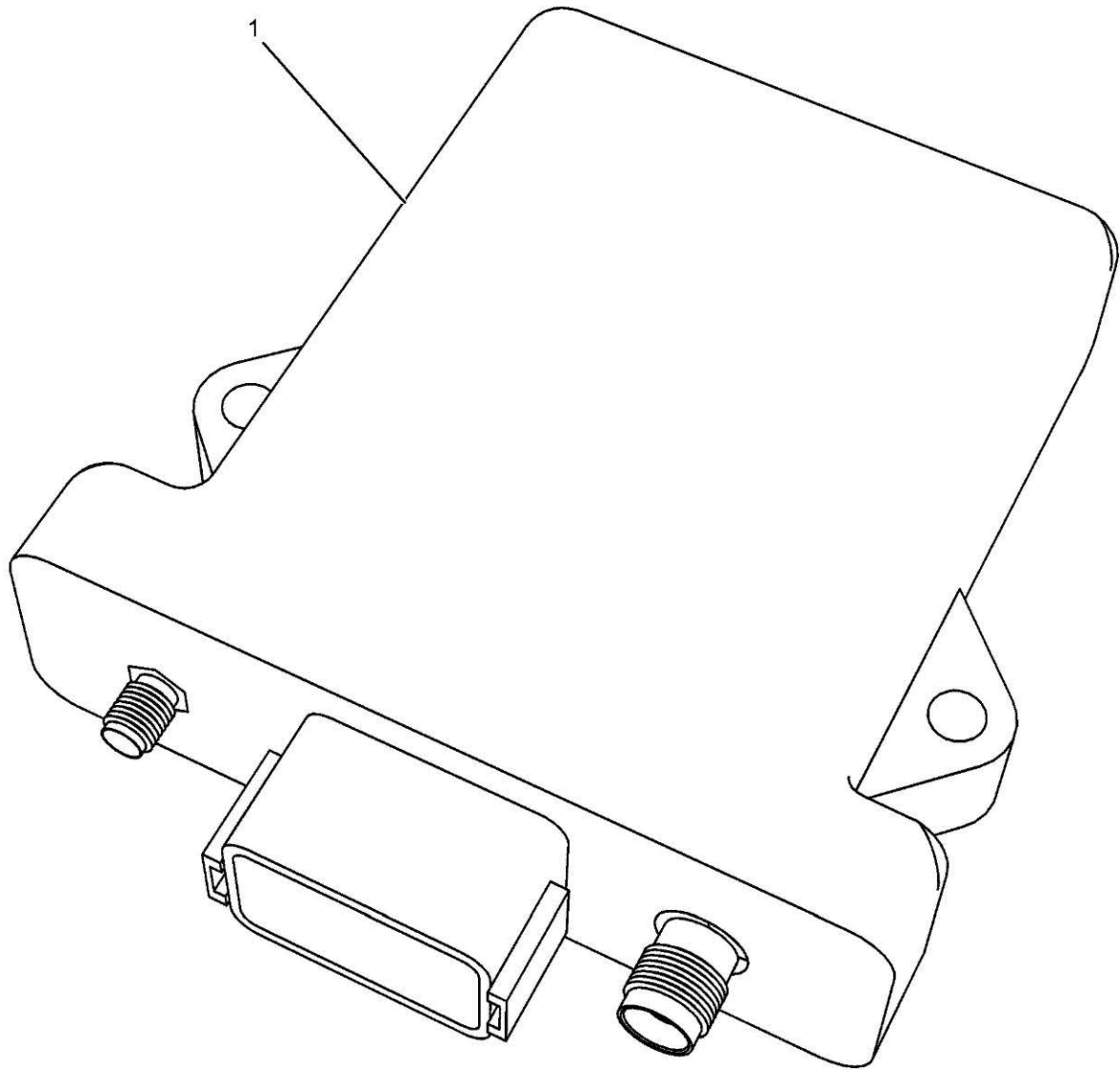
574197D1-3



574197D1 - FIELD ACCESSORIES - AGI4 TOPDOCK KIT

| ITEM | PART NUMBER | QTY | DESCRIPTION COMMENTS | TECHNICAL SPECIFICATION |
|------|-------------|-----|----------------------|-------------------------|
| | 574197D1 | 1 | AGI-4 DECIMETER KIT | |
| | ACZ000039B | 1 | AGI-4 SUB METER KIT | |

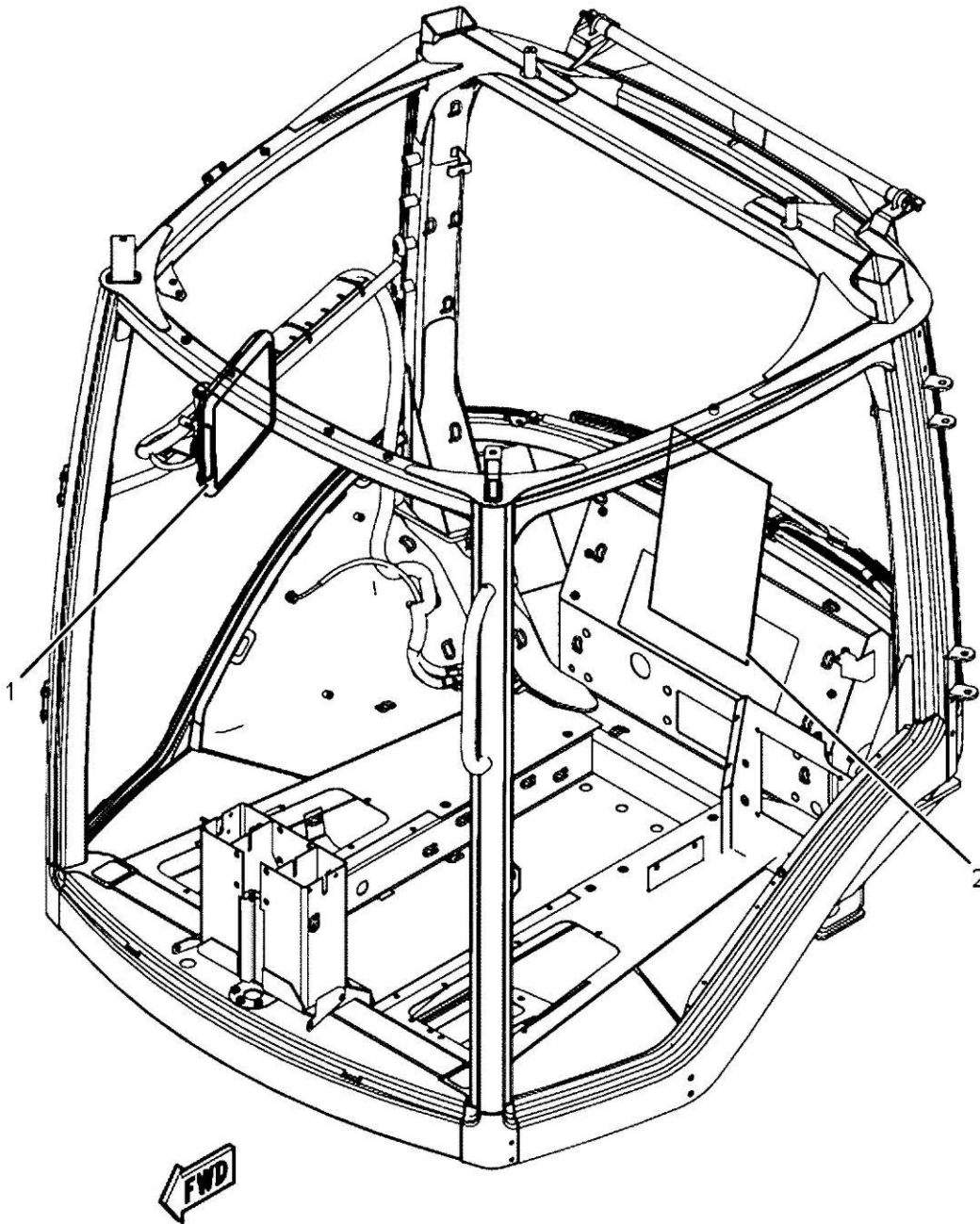
545083D1-1-W356



545083D1 - TELEMETRY HARDWARE KIT

| ITEM | PART NUMBER | QTY | DESCRIPTION COMMENTS | TECHNICAL SPECIFICATION |
|------|-------------|-----|-----------------------------------------------------------|-------------------------|
| | 545083D1 | 1 | TELEMETRY MODULE TELEMETRY HARDWARE | |
| 1 | 545082D1 | 1 | TELEMETRY MODULE TELEMETRY UNIT AND ACTIVATION CARD | |
| | ACZ0001630 | 1 | CONTROL UNIT | AM50-2 |

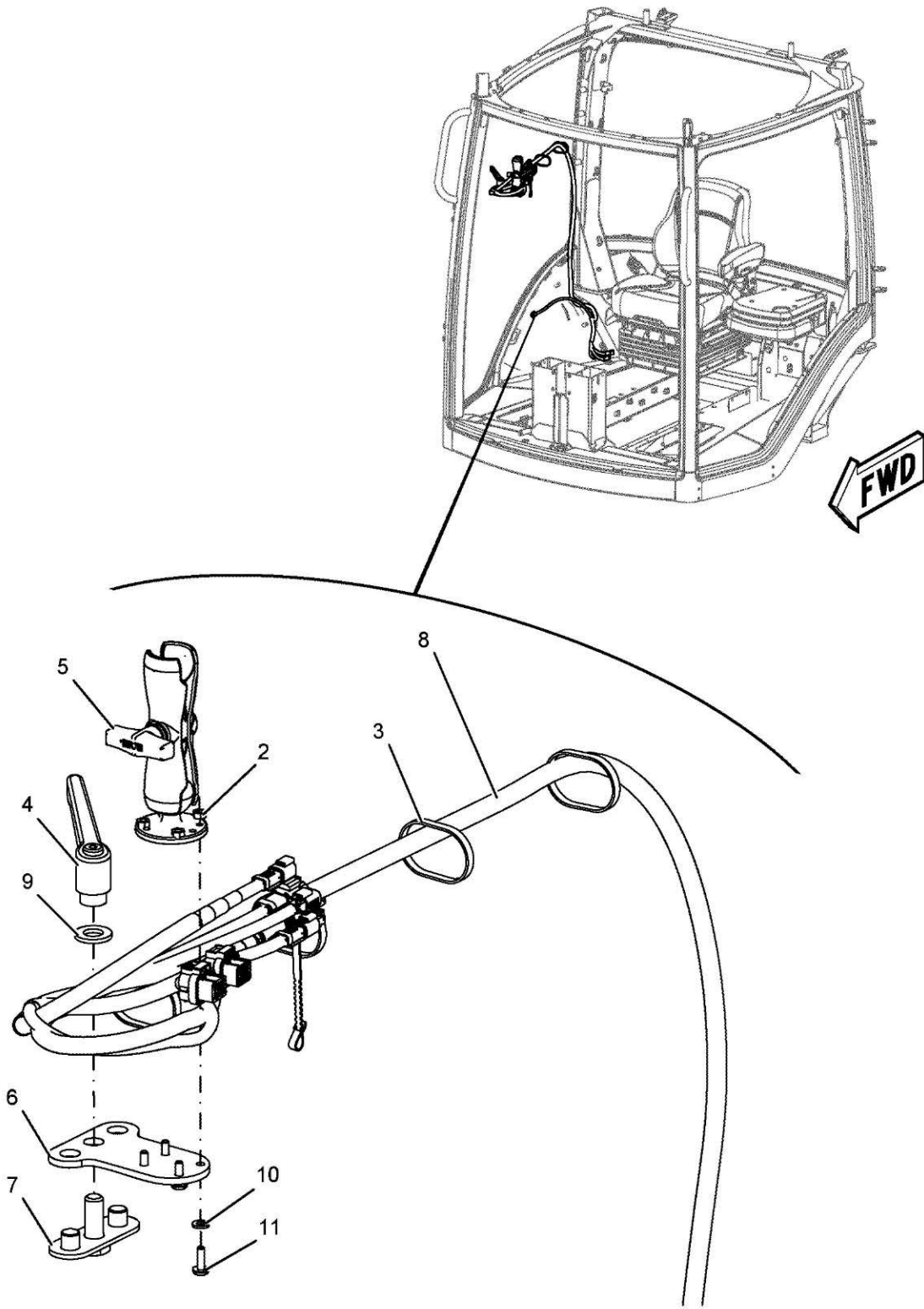
577266D1-1-AA936-



577266D1 - TERMINAL INSTALLATION, C3000, AG3000 - FIELD INSTALLATION KIT

| ITEM | PART NUMBER | QTY | DESCRIPTION COMMENTS | TECHNICAL SPECIFICATION |
|------|-------------|-----|-----------------------------------------------------------------------------------------------------------------------------------------------------|-------------------------|
| 1 | 577266D1 | 1 | C3000 INSTALL KIT | |
| 1 | ACZ000000C | 1 | CONTROL CONSOLE SERIAL NUMBER BREAKS MODELS FIRST USED ON: CO755 / CO765 / CO775 CO845 / CO855 / CO865 / CO875 CO955 / CO965 / CO975 | C3000 |
| 2 | ACZ0002230 | 1 | OPERATOR MANUAL | AG 3000 ADV ENGLISH |

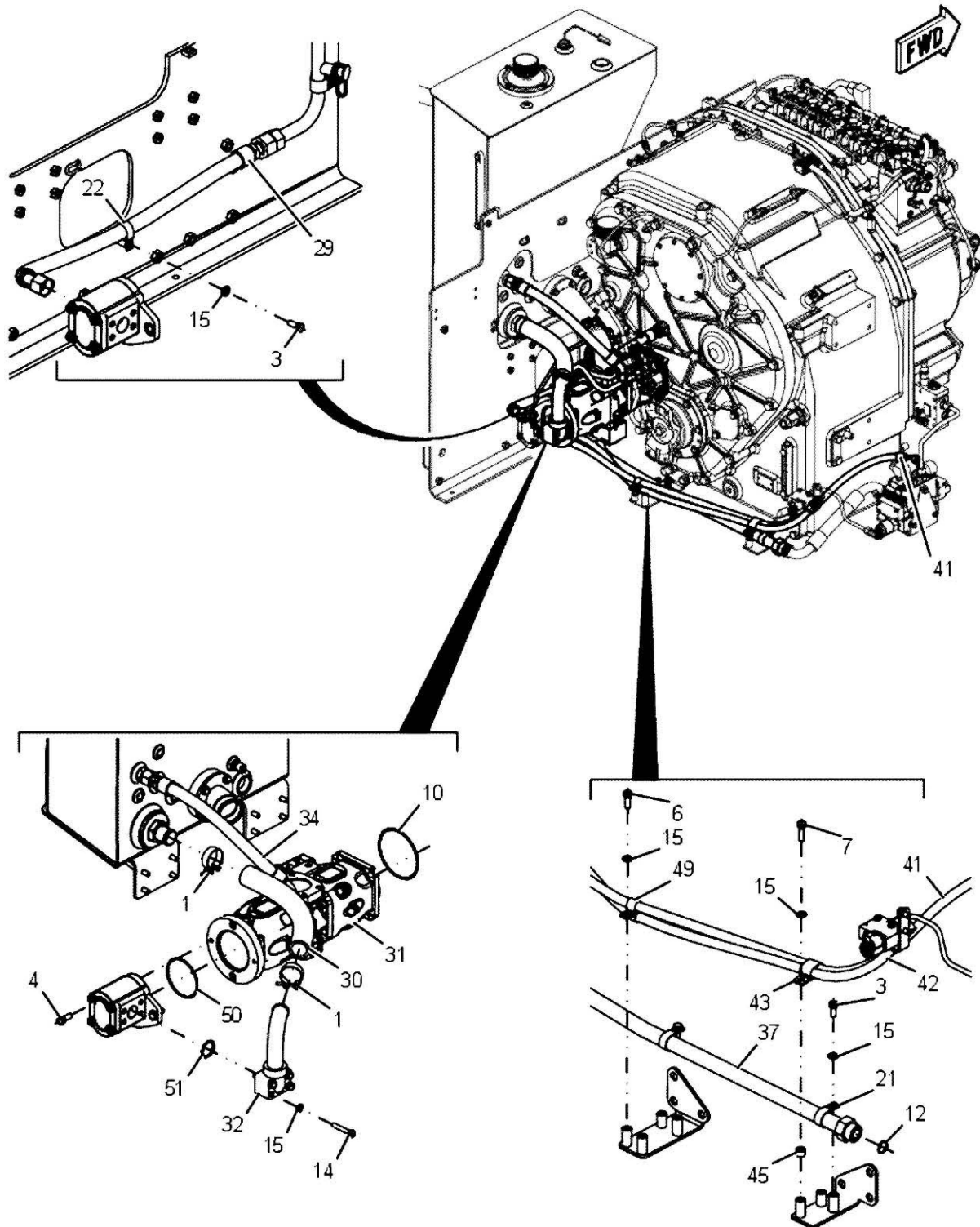
583177D1-2-01



583177D1 - TERMINAL INSTALLATION, C3000 READY - FIELD KIT

| ITEM | PART NUMBER | QTY | DESCRIPTION COMMENTS | TECHNICAL SPECIFICATION |
|------|-------------|-----|----------------------|---------------------------|
| | 583177D1 | 1 | C3000 INSTALL KIT | |
| 2 | 400300X1 | 4 | HEX NUT | M6 X 1 |
| 3 | 402294X1 | 4 | CABLE TIE | 390MM X 7.6MM |
| 4 | 500854D1 | 1 | ADJUSTMENT LEVER | |
| 5 | 524335D1 | 1 | SOCKET ARM | |
| 6 | 572578D1 | 1 | GUIDE PLATE | |
| 7 | 572575D1 | 1 | PLATE | |
| 8 | 573371D1 | 1 | WIRE HARNESS | |
| 9 | CH5P-8247 | 2 | FLAT WASHER | 17MM ID X 32MM OD X 3.5MM |
| 10 | CH8T-4205 | 4 | FLAT WASHER | 7.2MM X 14.5MM X 2MM |
| 11 | CH9X-2045 | 4 | TORX HEAD SCREW | M6 X 1 X 20MM, T30 |

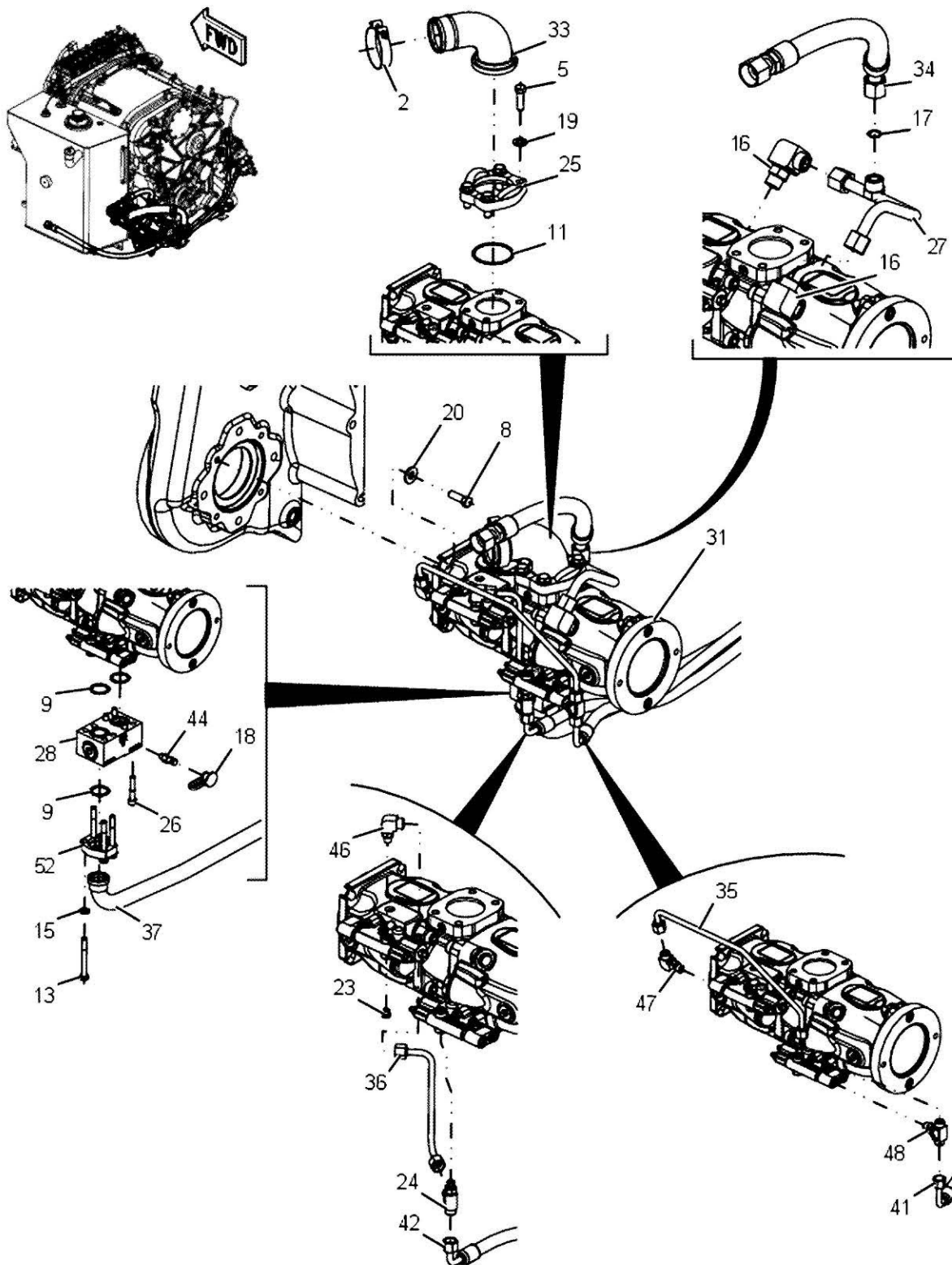
57776D1-1-01



57776D1 - HYDRAULIC IMPLEMENT PUMP, 85 GPM

| ITEM | PART NUMBER | QTY | DESCRIPTION COMMENTS | TECHNICAL SPECIFICATION |
|------|-------------|-----|-----------------------------------------------------|----------------------------------|
| | 57776D1 | 1 | HYDRAULIC PUMP KIT | 85 GPM |
| 1 | AG561241 | 2 | HOSE CLAMP | 1.91"-2.22", SS |
| 3 | 400039X1 | 3 | HEXAGONAL HEAD BOLT | M10 X 1.5 X 25MM, CL10.9 |
| 4 | 400041X1 | 2 | HEXAGONAL HEAD BOLT | M12 X 1.75 X 30MM, CL10.9 |
| 6 | 400058X1 | 1 | HEXAGONAL HEAD BOLT | M10 X 1.5 X 30MM |
| 7 | 400059X1 | 1 | HEXAGONAL HEAD BOLT | M10 X 1.5 X 35MM, CL10.9 |
| 10 | 400101X1 | 1 | O-RING | 126.6MM ID X 3.5MM |
| 12 | 400123X1 | 1 | O-RING | 27.22MM OD X 1.78MM |
| 14 | 400239X1 | 4 | HEXAGONAL HEAD BOLT | M10 X 1.5 X 60MM, CL10.9 |
| 15 | 400287X1 | 13 | FLAT WASHER | 11MM X 21MM X 2.5MM |
| 21 | 400597X1 | 2 | P-CLIP | 31.75MM ID, M10 OR 3/8" |
| 22 | 400700X1 | 1 | P-CLIP | 28.58 ID |
| 29 | 560889D1 | 1 | CHARGE HOSE | 19.04MM X 976MM |
| 30 | 562784D1 | 1 | CHARGE HOSE | 38.1MM X 401MM |
| 31 | 566108D1 | 1 | HYDRAULIC PISTON PUMP 126 CC SEE PAGE 08-0100 | |
| 32 | 566321D1 | 1 | INLET | |
| 34 | 566402D1 | 1 | DRAIN HOSE | 19.05MM X 508MM |
| 37 | 572756D1 | 1 | TUBE | 25.65MM X 826MM |
| 41 | 581964D1 | 1 | HOSE ASSY | |
| 42 | 581965D1 | 1 | HOSE ASSY | |
| 43 | CH100-4336 | 1 | P-CLIP | 20.62MM ID, DOUBLE |
| 45 | CH148-7017 | 1 | SPACER | 10.2MM ID X 19.05MM OD X 13MM |
| 49 | CH1S-0994 | 2 | CLIP | 20.64MM ID |
| 50 | CH2H-3934 | 1 | O-RING | 98.02MM ID X 3.53MM |
| 51 | CH4J-0522 | 1 | O-RING | 37.69MM ID X 3.53MM |

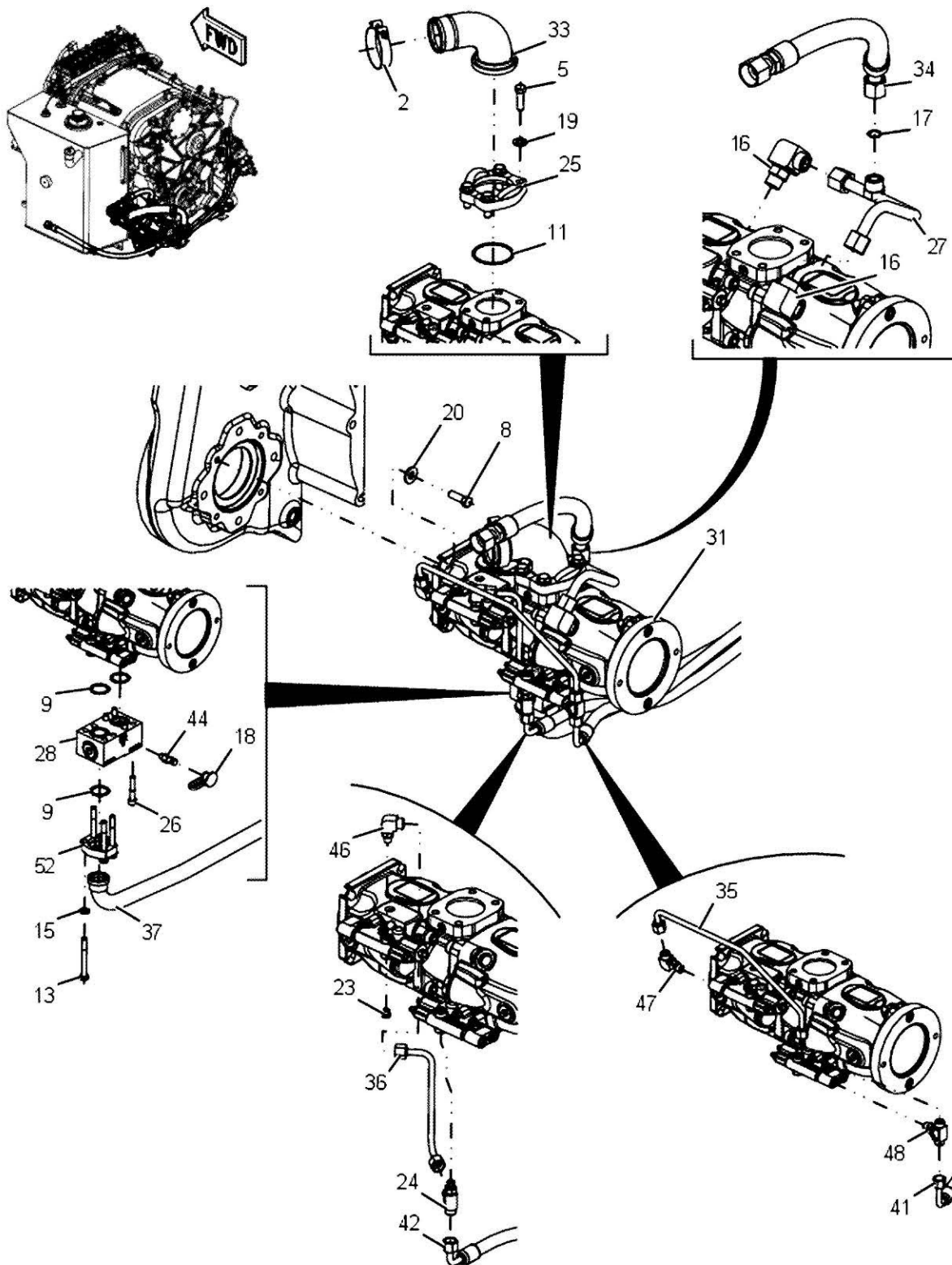
57776D1-1-02



57776D1 - HYDRAULIC IMPLEMENT PUMP, 85 GPM

| ITEM | PART NUMBER | QTY | DESCRIPTION COMMENTS | TECHNICAL SPECIFICATION |
|------|-------------|-----|---------------------------------------------------------------------------|-----------------------------|
| | 57776D1 | 1 | HYDRAULIC PUMP KIT | 85 GPM |
| 2 | AG561243 | 1 | HOSE CLAMP | 2-7/8"-3-3/16", SS |
| 5 | 400050X1 | 4 | HEXAGONAL HEAD BOLT | M12 X 1.75 X 40MM, CL10.9 |
| 8 | 400064X1 | 4 | HEXAGONAL HEAD BOLT | M12 X 1.75MM X 35MM, CL10.9 |
| 9 | 400100X1 | 3 | O-RING | 32.92MM ID X 3.53MM |
| 11 | 400102X1 | 1 | O-RING SEAL | 69.4MM X 3.53MM |
| 13 | 400225X1 | 4 | HEXAGONAL HEAD BOLT | M10 X 1.5 X 90MM, CL10.9 |
| 15 | 400287X1 | 13 | FLAT WASHER | 11MM X 21MM X 2.5MM |
| 16 | 400320X1 | 2 | ELBOW | -10PORT X -10 ORFS |
| | 400322X1 | 1 | O-RING | 19.28MM OD X 1.78MM |
| | 400319X1 | 1 | O-RING | 19.18MM ID X 2.46MM |
| 17 | 400322X1 | 1 | O-RING | 19.28MM OD X 1.78MM |
| 18 | 400323X1 | 1 | DUST CAP | 12.6MM OD |
| 19 | 400357X1 | 4 | FLAT WASHER | M12 X 25.5 X 3MM |
| 20 | 400381X1 | 4 | FLAT WASHER | 13.5MM X 30MM X 4MM |
| 23 | 400947X1 | 1 | HEX PLUG | 7/16-20 |
| | 400322X1 | 1 | O-RING | 19.28MM OD X 1.78MM |
| | 400319X1 | 1 | O-RING | 19.18MM ID X 2.46MM |
| 24 | 401297X1 | 1 | TEE FITTING | 1/4" STOR X 3/8" ORB |
| | 400378X1 | 2 | O-RING | 12.83MM OD X 1.78MM |
| | 400361X1 | 1 | O-RING | 8.92MM ID X 1.83MM |
| 25 | 402041X1 | 1 | FLANGE | |
| 26 | 402152X1 | 4 | HEX SOCKET HEAD BOLT | M10 X 1.5 X 55MM, CL 12.9 |
| 27 | 533034D1 | 1 | DRAIN HOSE | 12.58MM X 155MM |
| 28 | 538954D1 | 1 | VALVE BLOCK VALVE ASSEMBLY IMPLEMENT PUMP CHECK SEE PAGE 08-0075 | |
| 31 | 566108D1 | 1 | HYDRAULIC PISTON PUMP 126CC SEE PAGE 08-0100 | |
| 33 | 566323D1 | 1 | INLET | |
| 34 | 566402D1 | 1 | DRAIN HOSE | 19.05MM X 508MM |
| 35 | 566532D1 | 1 | SUPPLY HOSE | 7.04MM X 359.4MM |
| 36 | 570526D1 | 1 | TUBE | 7.04MM X 178,8MM |
| 37 | 572756D1 | 1 | TUBE | 25.65MM X 826MM |
| 41 | 581964D1 | 1 | HOSE ASSY | |
| 42 | 581965D1 | 1 | HOSE ASSY | |
| 44 | CH110-6349 | 1 | GREASE FITTING | 7/16"-20, -4 STOR |
| 46 | CH148-8361 | 1 | ELBOW FITTING | -4 STOR X -6 ORFS |
| | 400378X1 | 1 | O-RING | 12.83MM OD X 1.78MM |
| | 400361X1 | 1 | O-RING | 8.92MM ID X 1.83MM |
| 47 | CH148-8378 | 1 | ELBOW FITTING | 9/16"-18 X 11/16"-16 |
| | 400318X1 | 1 | O-RING | 11.89MM ID X 1.98MM |
| | 400378X1 | 1 | O-RING | 12.83MM OD X 1.78MM |
| 48 | CH148-8439 | 1 | TEE FITTING | 9/16"-18 X 2X 11/16"-16 |

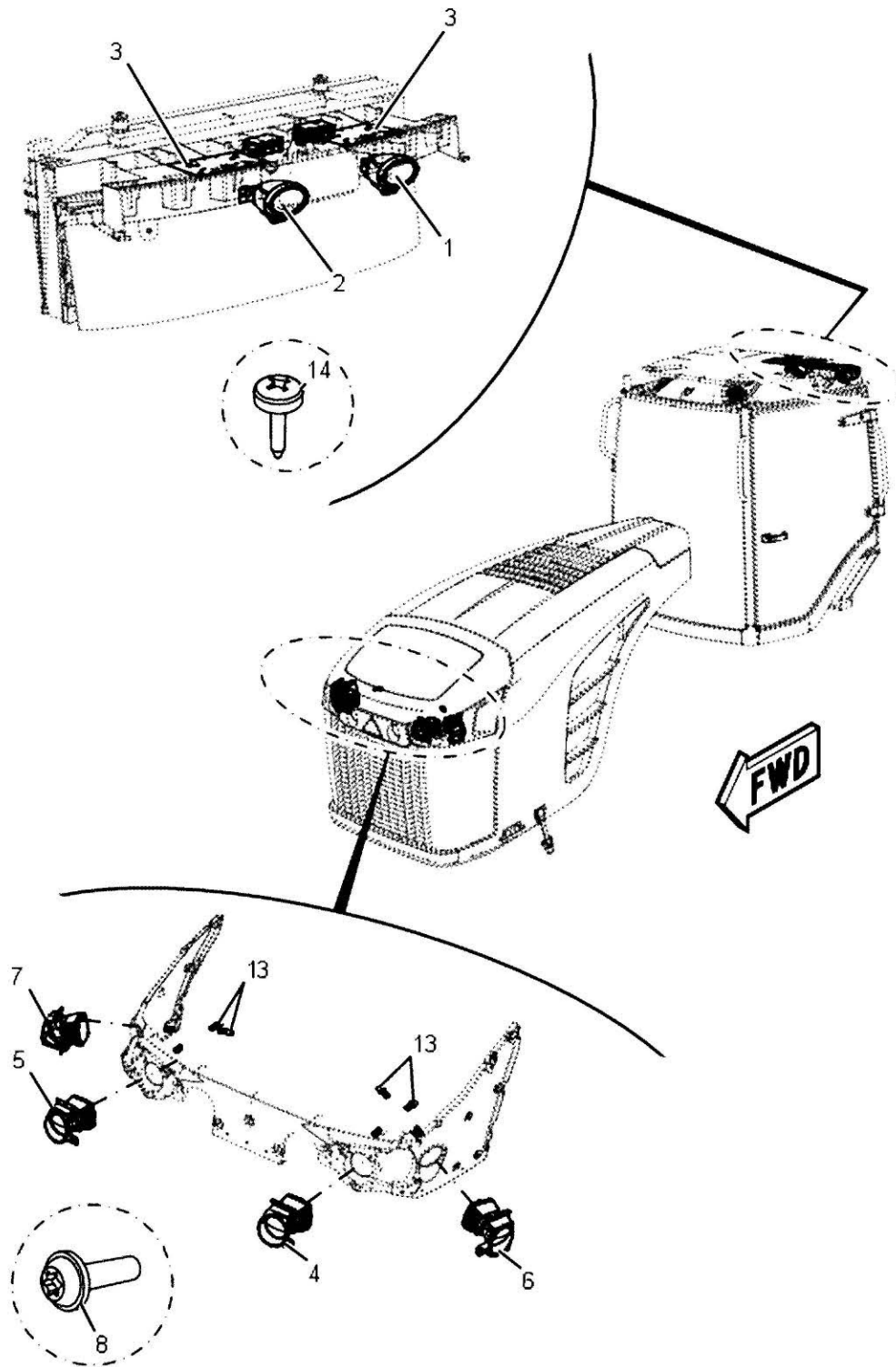
57776D1-1-02



57776D1 - HYDRAULIC IMPLEMENT PUMP, 85 GPM

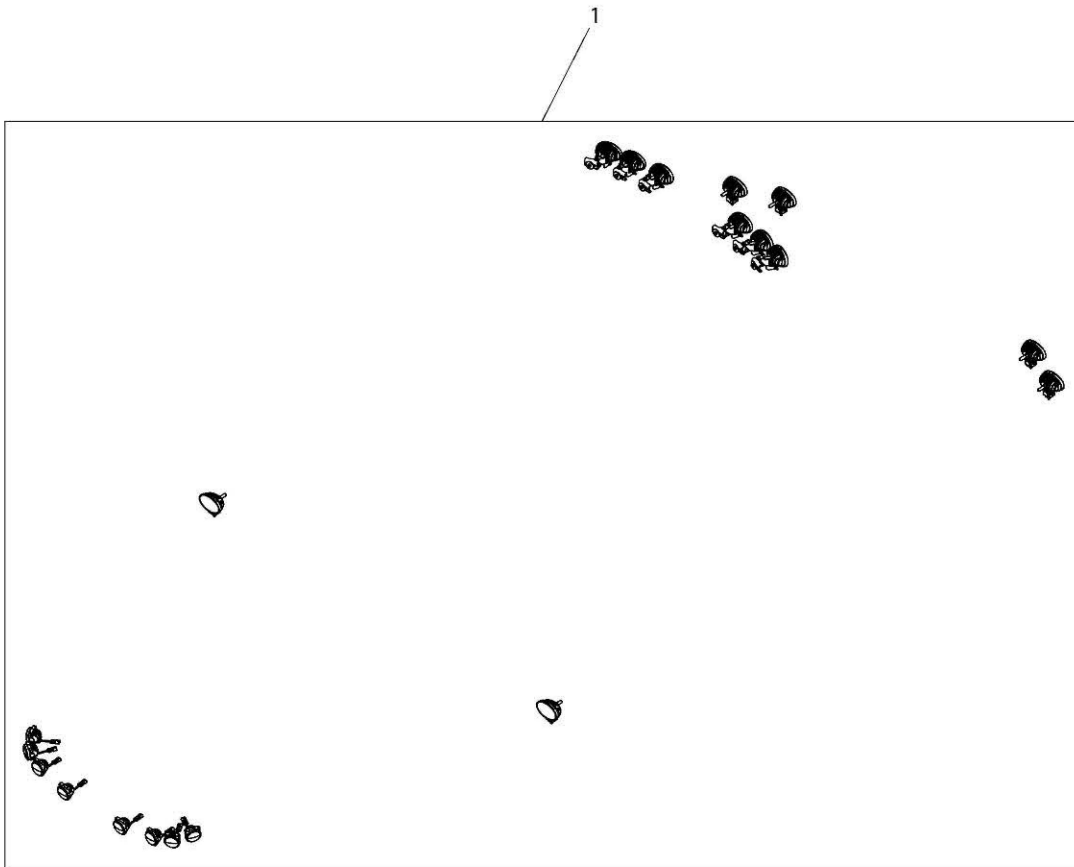
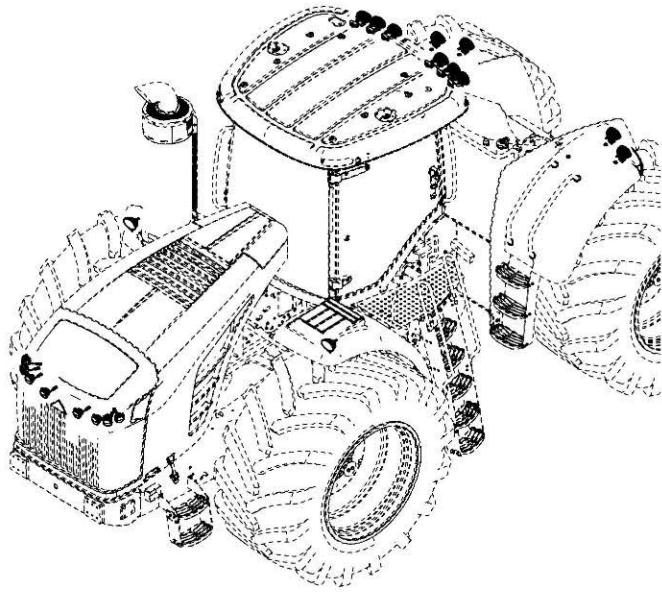
| ITEM | PART NUMBER | QTY | DESCRIPTION COMMENTS | TECHNICAL SPECIFICATION |
|------|-------------|-----|----------------------|-------------------------|
| | 400318X1 | 1 | O-RING | 11.89MM ID X 1.98MM |
| | 400378X1 | 2 | O-RING | 12.83MM OD X 1.78MM |
| 52 | CH8C-3206 | 2 | FLANGE | |

578133D1-2-01



578133D1 - LIGHTING KIT, DELUXE TO DOUBLE HID, FIELD INSTALLATION - 2016

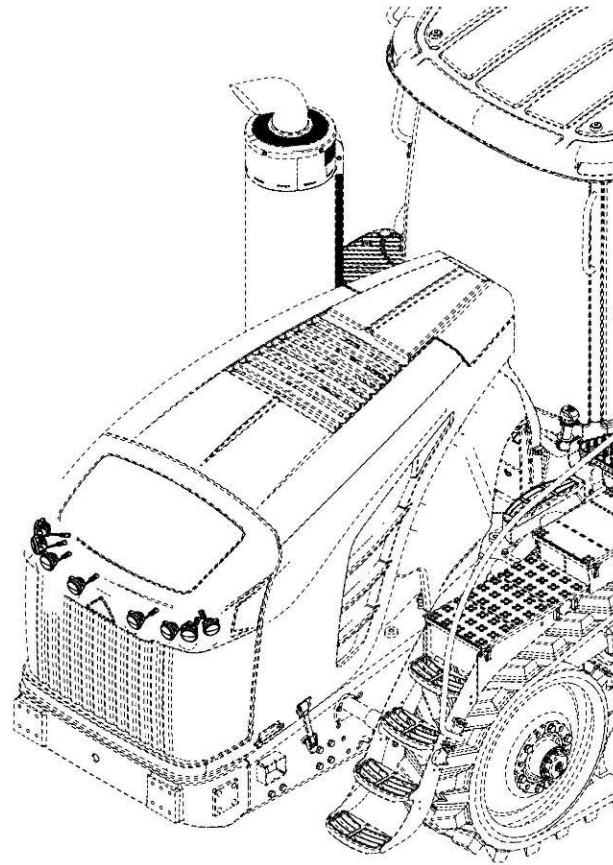
| ITEM | PART NUMBER | QTY | DESCRIPTION COMMENTS | TECHNICAL SPECIFICATION |
|------|-------------|-----|----------------------------|-------------------------|
| | 578133D1 | 1 | WORK LIGHT KIT | HID |
| 1 | 504021D1 | 1 | HID WORK LIGHT, RIGHT HAND | |
| | 400287X1 | 2 | FLAT WASHER | 11MM X 21MM X 2.5MM |
| | 504025D1 | 1 | LIGHT BRACKET | |
| | 504030D1 | 1 | LIGHT BALLAST | |
| | 504823D1 | 1 | BRACKET | |
| | 505083D1 | 1 | LIGHT | |
| 2 | 504022D1 | 1 | HID WORK LIGHT, LEFT HAND | |
| | 400287X1 | 2 | FLAT WASHER | 11MM X 21MM X 2.5MM |
| | 504025D1 | 1 | LIGHT BRACKET | |
| | 504030D1 | 1 | LIGHT BALLAST | |
| | 504823D1 | 1 | BRACKET | |
| | 505083D1 | 1 | LIGHT | |
| 3 | 504028D1 | 2 | PLATE | |
| 4 | 526705D1 | 1 | HID LIGHTING KIT | |
| 5 | 526706D1 | 1 | HID LIGHTING KIT | |
| 6 | 526707D1 | 1 | HID LIGHTING KIT | |
| 7 | 526708D1 | 1 | HID LIGHTING KIT | |
| 8 | 526710D1 | 24 | TORX HEAD BOLT | 17.8MM |
| 13 | 576324D1 | 4 | JUMPER HARNESS | HID JUMPER |
| 14 | CH119-5026 | 14 | PAN HEAD MACHINE SCREW | #10-16 X 16MM |



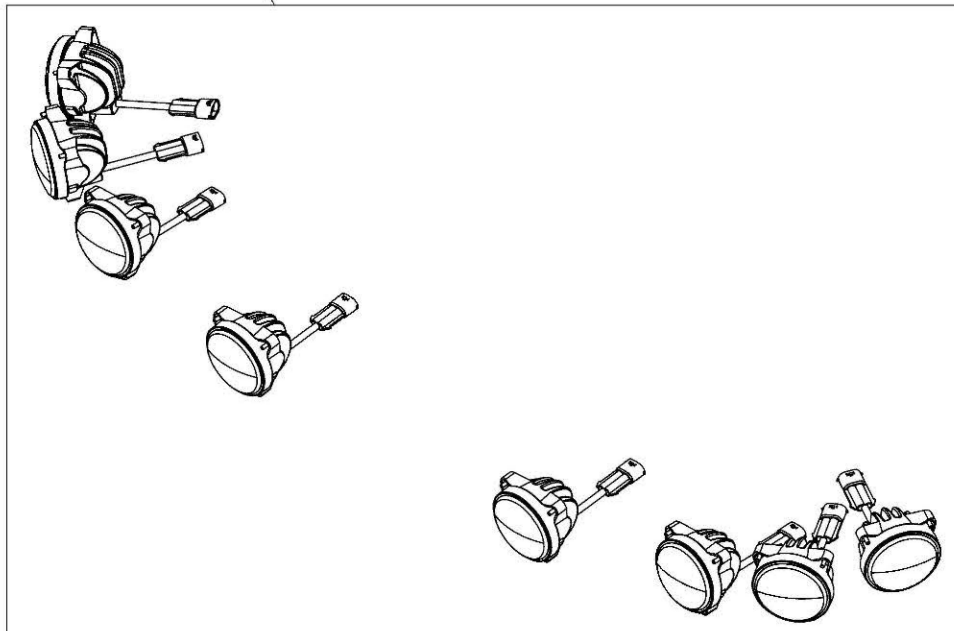
604115D1-1

604115D1 - HOOD LIGHTING ARRANGEMENT, LED, WORKLIGHT - FIELD ACCESSORIES

| ITEM | PART NUMBER | QTY | DESCRIPTION COMMENTS | TECHNICAL SPECIFICATION |
|------|-------------|-----|-----------------------------------|-------------------------|
| | 604115D1 | 1 | KIT, LIGHTING | |
| 1 | 604114D1 | 1 | KIT, LIGHTING SEE PAGE 09-0111 | |



1

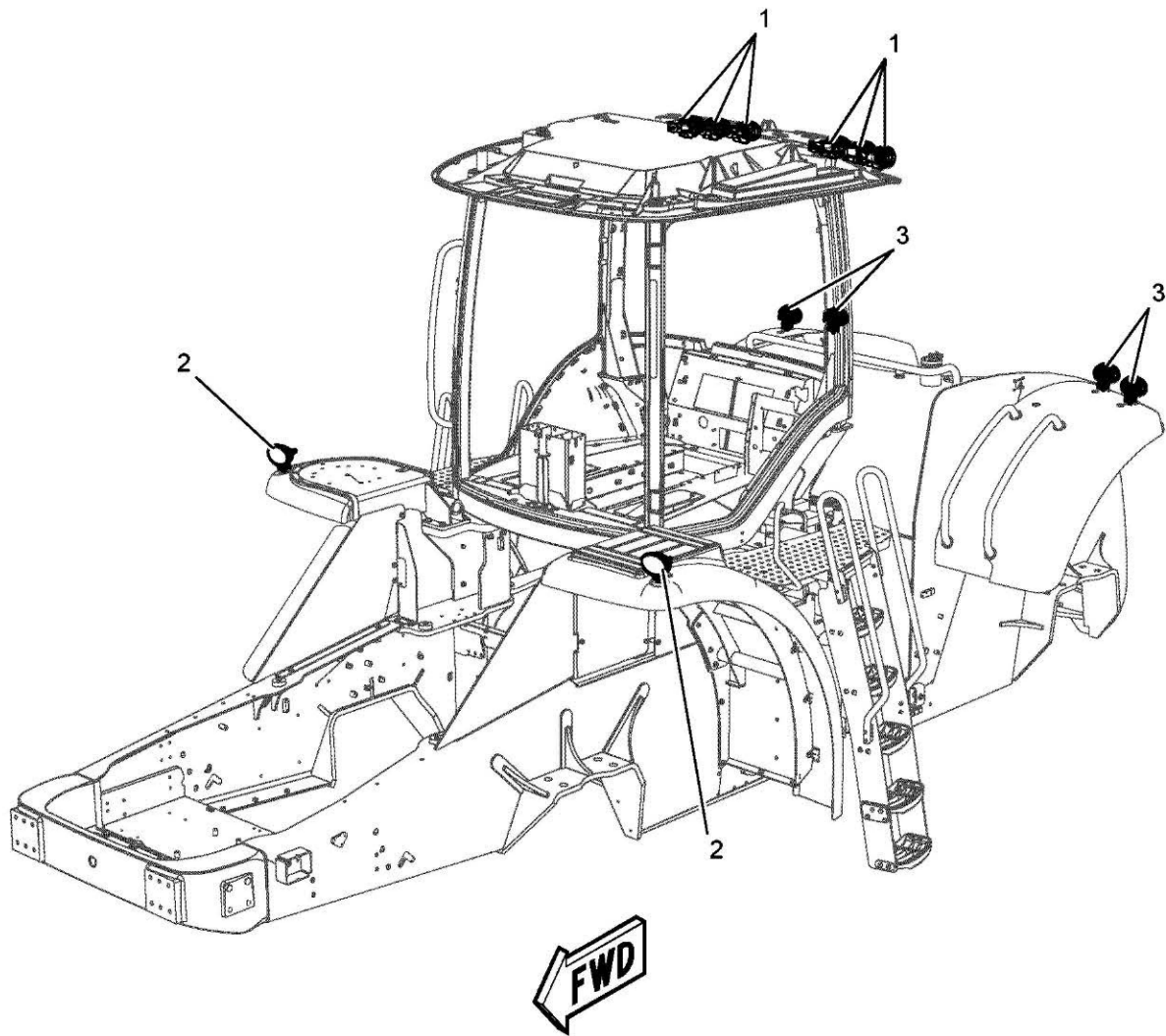


604113D1-1

604113D1 - HOOD LIGHTING ARRANGEMENT, LED - FIELD ACCESSORIES

| ITEM | PART NUMBER | QTY | DESCRIPTION COMMENTS | TECHNICAL SPECIFICATION |
|------|-------------|-----|------------------------------------------|-------------------------|
| | 604113D1 | 1 | KIT, LIGHTING | |
| 1 | NS | 1 | NON-SERVICEABLE PART SEE PAGE 09-0112 | |

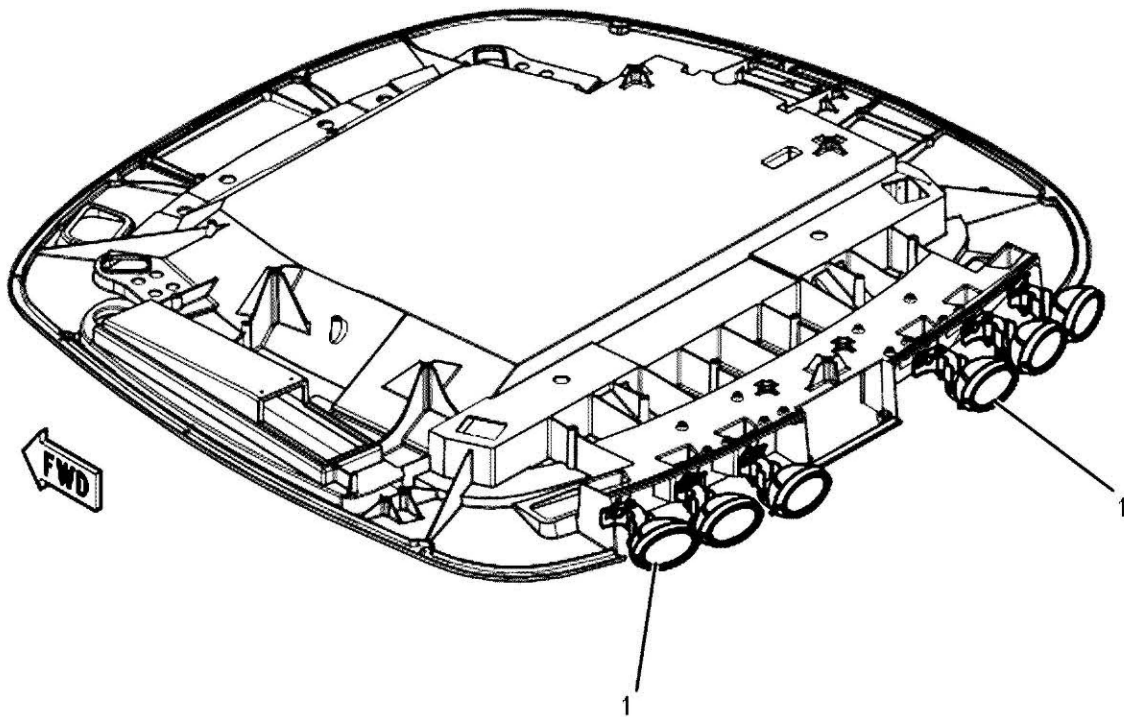
581613D1-3-01



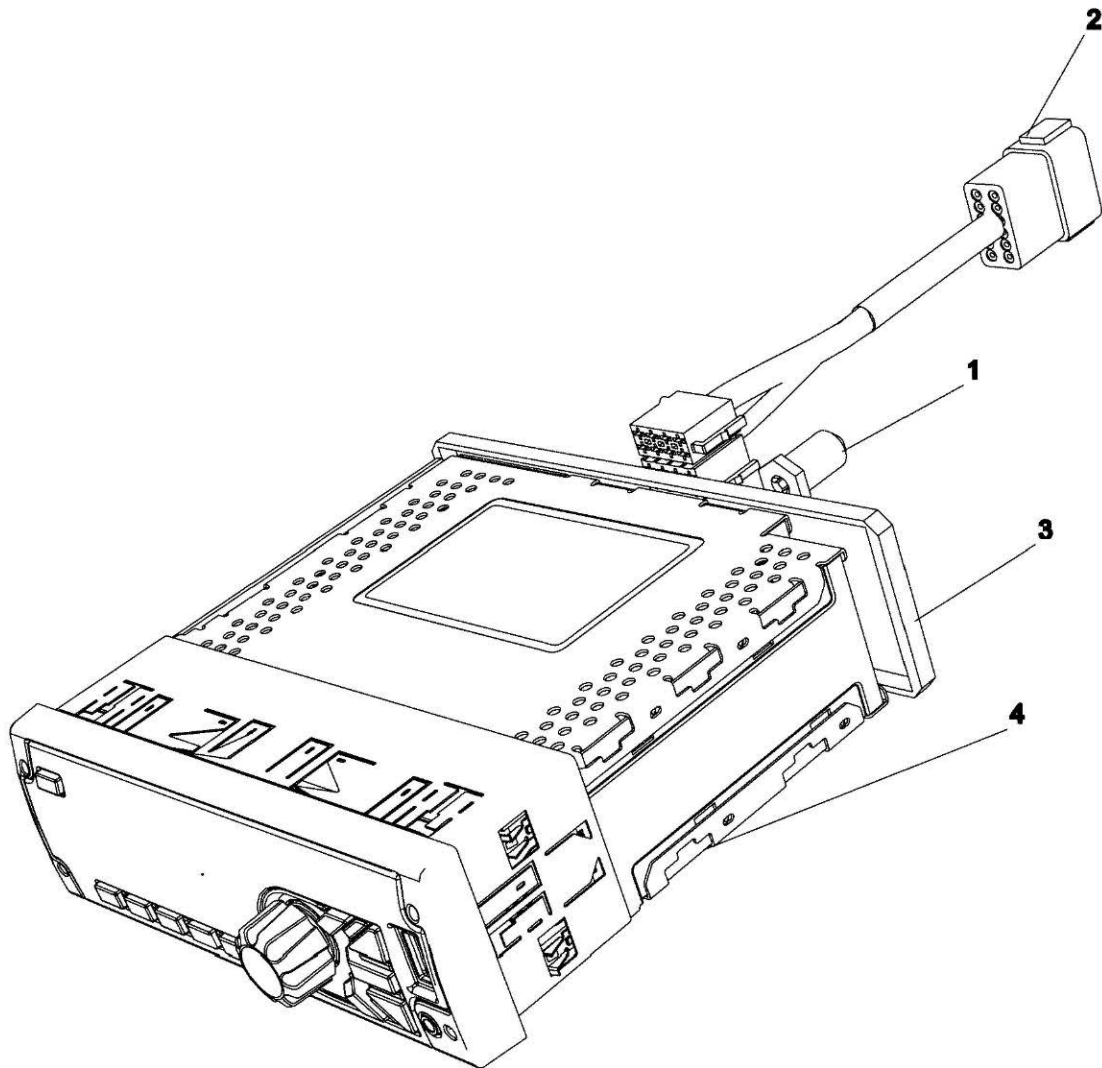
581613D1 - LED LIGHTING ARRANGEMENT

| ITEM | PART NUMBER | QTY | DESCRIPTION COMMENTS | TECHNICAL SPECIFICATION |
|------|-------------|-----|------------------------------------|-------------------------|
| | 581613D1 | 1 | WORK LIGHT KIT | LED |
| 1 | 581599D1 | 1 | WORK LIGHT KIT SEE PAGE 09-0127 | LED |
| 2 | 593168D1 | 1 | WORK LIGHT KIT SEE PAGE 09-0124 | LED |
| 3 | 593169D1 | 1 | WORK LIGHT KIT SEE PAGE 09-0125 | LED |

581602D1-2-

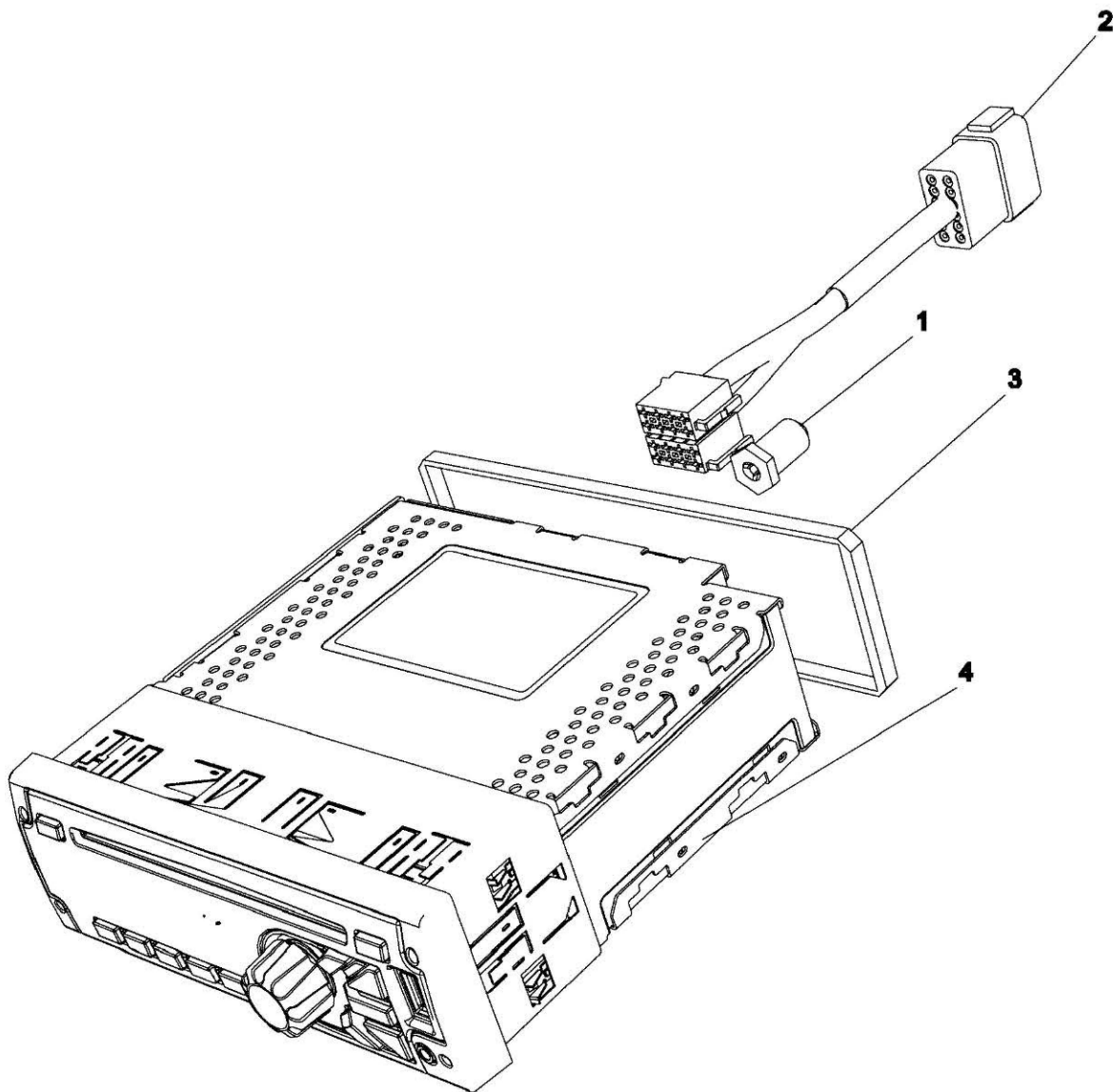


| ITEM | PART NUMBER | QTY | DESCRIPTION COMMENTS | TECHNICAL SPECIFICATION |
|------|-------------|-----|------------------------------------------|-------------------------|
| | 581602D1 | 1 | WORK LIGHT KIT | HAL |
| 1 | NS | 6 | NON-SERVICEABLE PART SEE PAGE 09-0044 | |



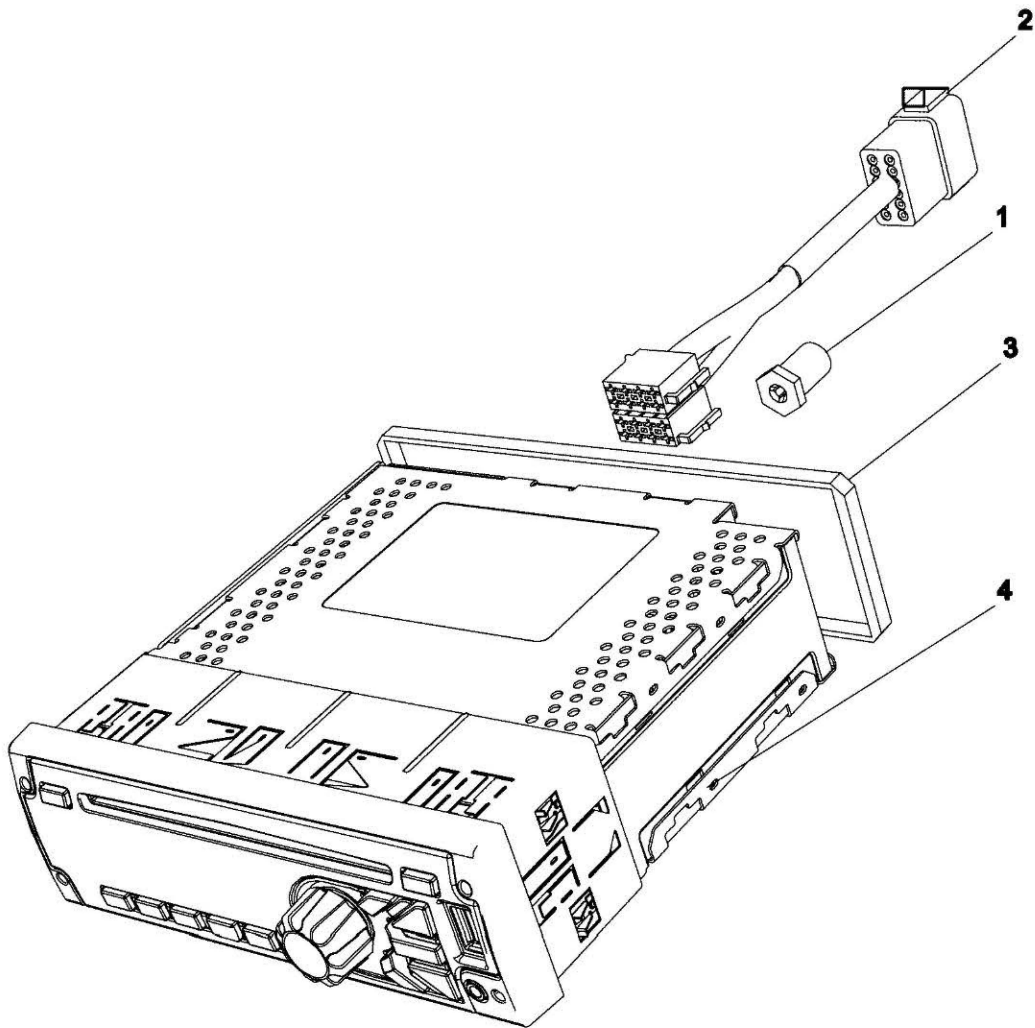
576687D1 - RADIO KIT, WITHOUT ANTENNA - FIELD INSTALLATION KIT

| ITEM | PART NUMBER | QTY | DESCRIPTION COMMENTS | TECHNICAL SPECIFICATION |
|------|-------------|-----|--------------------------------|-------------------------|
| | 576687D1 | 1 | RADIO KIT COMPLETE ASSEMBLY | USB |
| 1 | CH136-5490 | 1 | BUSH | 7.2MM ID X 13MM OD |
| 2 | 514906D1 | 1 | WIRE HARNESS | |
| 3 | 506596D1 | 1 | SPACER | |
| 4 | 574379D1 | 1 | RADIO | USB, BT |



576692D1 - RADIO KIT, DELUXE - FIELD INSTALLATION KIT

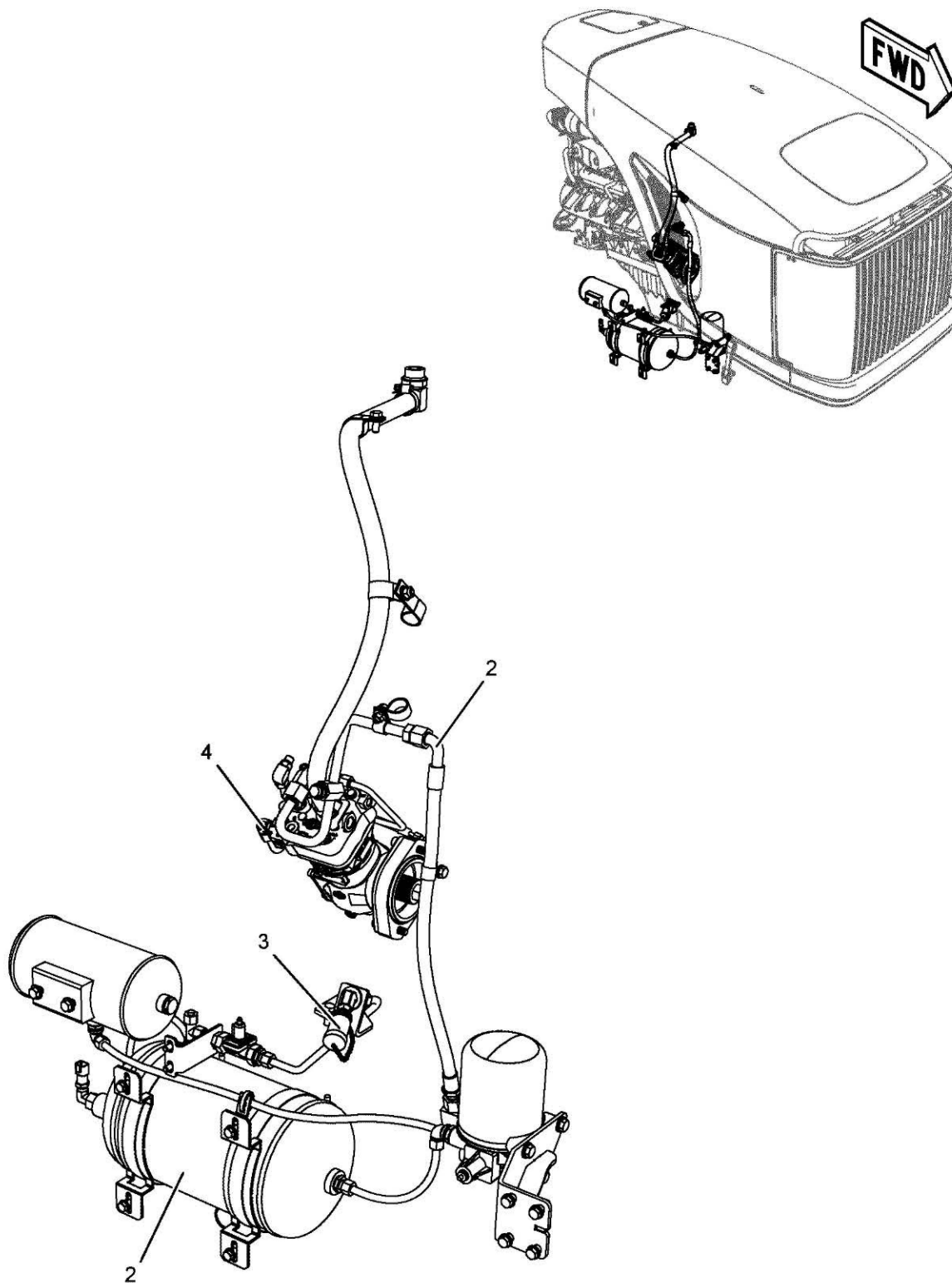
| ITEM | PART NUMBER | QTY | DESCRIPTION COMMENTS | TECHNICAL SPECIFICATION |
|------|-------------|-----|--------------------------------|-------------------------|
| | 576692D1 | 1 | RADIO KIT COMPLETE ASSEMBLY | |
| 1 | CH136-5490 | 1 | BUSH | 7.2MM ID X 13MM OD |
| 2 | 514906D1 | 1 | WIRE HARNESS | |
| 3 | 506596D1 | 1 | SPACER | |
| 4 | 574382D1 | 1 | RADIO | CD, USB, BT |



576697D1 - RADIO, DELUXE - RADIO KIT INSTALLATION, XM

| ITEM | PART NUMBER | QTY | DESCRIPTION COMMENTS | TECHNICAL SPECIFICATION |
|------|-------------|-----|--------------------------------|-------------------------|
| | 576697D1 | 1 | RADIO KIT COMPLETE ASSEMBLY | XM |
| 1 | CH136-5490 | 1 | BUSH | 7.2MM ID X 13MM OD |
| 2 | 514906D1 | 1 | WIRE HARNESS | |
| 3 | 506596D1 | 1 | SPACER | |
| 4 | 574383D1 | 1 | RADIO | CD, USB, BT, XM |

572483D1-1-01



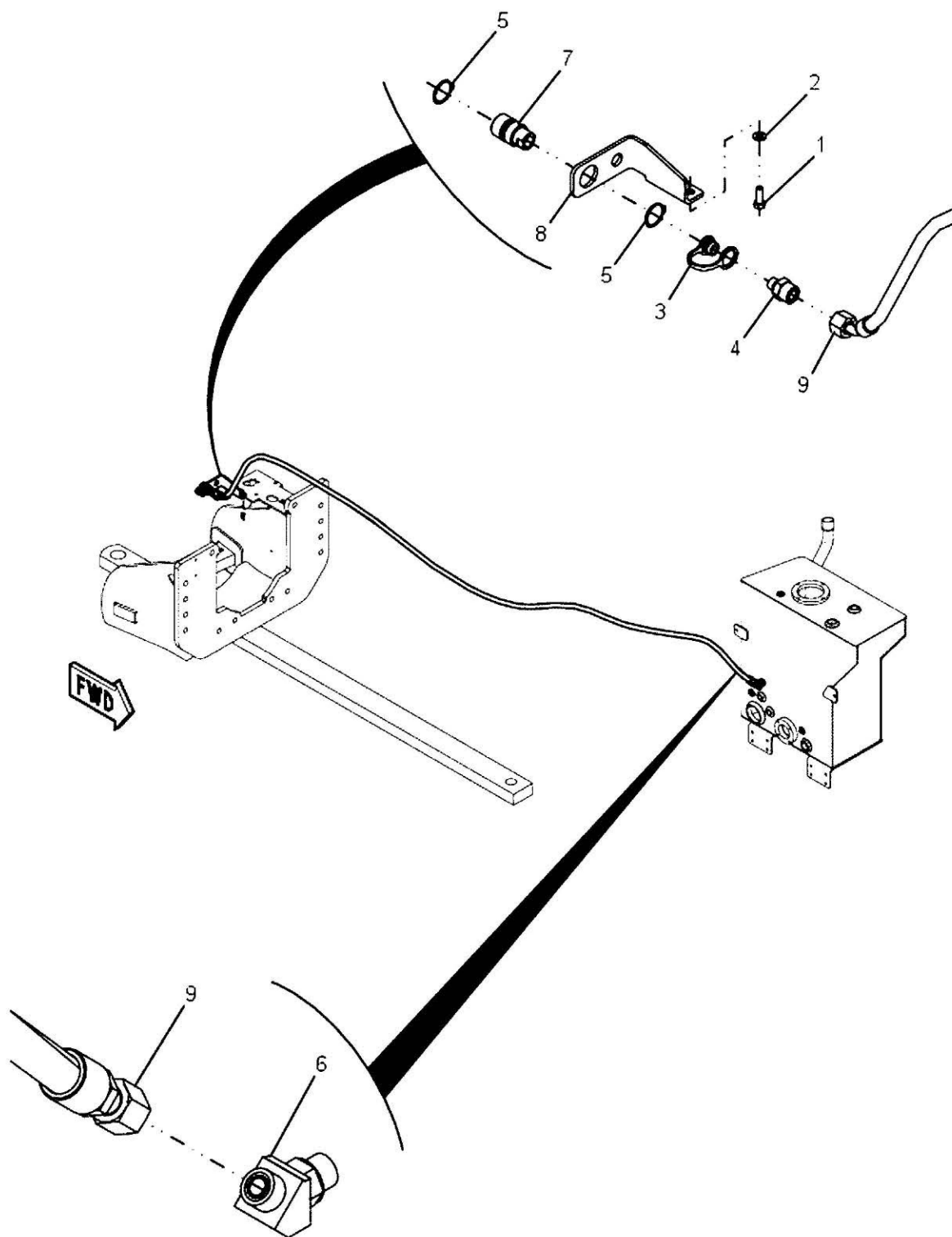
572483D1 - AIR COMPRESSOR KIT - AIR TANK

| ITEM | PART NUMBER | QTY | DESCRIPTION COMMENTS | TECHNICAL SPECIFICATION |
|------|-------------|-----|--------------------------------------------------------------|-------------------------|
| | 572483D1 | 1 | COMPRESSOR KIT | |
| 2 | NS | 1 | NON-SERVICEABLE PART SEE PAGE 07-0007 SEE PAGE 07-0008 | |
| 3 | NS | 1 | NON-SERVICEABLE PART SEE PAGE 07-0009 | |
| 4 | NS | 1 | NON-SERVICEABLE PART SEE PAGE 07-0005 | |

555523D1 - FLAT FACE IMPLEMENT CASE DRAIN KIT - DRAWBAR

| ITEM | PART NUMBER | QTY | DESCRIPTION COMMENTS | TECHNICAL SPECIFICATION |
|------|-------------|-----|----------------------|--------------------------|
| | 555523D1 | 1 | OIL DRAIN KIT | |
| 1 | 400058X1 | 2 | HEXAGONAL HEAD BOLT | M10 X 1.5 X 30MM |
| 2 | 400287X1 | 2 | FLAT WASHER | 11MM X 21MM X 2.5MM |
| 3 | 400961X1 | 1 | HEX NUT | 1-3/16"-12 |
| 4 | 400968X1 | 1 | SNAPRING | |
| 5 | 400981X1 | 1 | ELBOW FITTING | -8STOR X -8ORFS, 45D |
| | CH3K-0360 | 1 | O-RING | 16.36MM ID X 2.21MM |
| | CH6V-8398 | 1 | O-RING | 16.03MM OD X 1.78MM |
| 6 | 502472D1 | 1 | NIPPLE | -6 FFOR |
| 7 | 502473D1 | 1 | DUST CAP | |
| 8 | 502475D1 | 1 | COUPLER | |
| | 502470D1 | 1 | COUPLER | 1-3/16"-12, -6 FLAT FACE |
| | 400366X1 | 1 | O-RING | 22.5MM OD X 1.78MM |
| 9 | 523210D1 | 1 | BRACKET | |
| 10 | 571698D1 | 1 | DRAIN HOSE | 12.7MM X 3963MM |

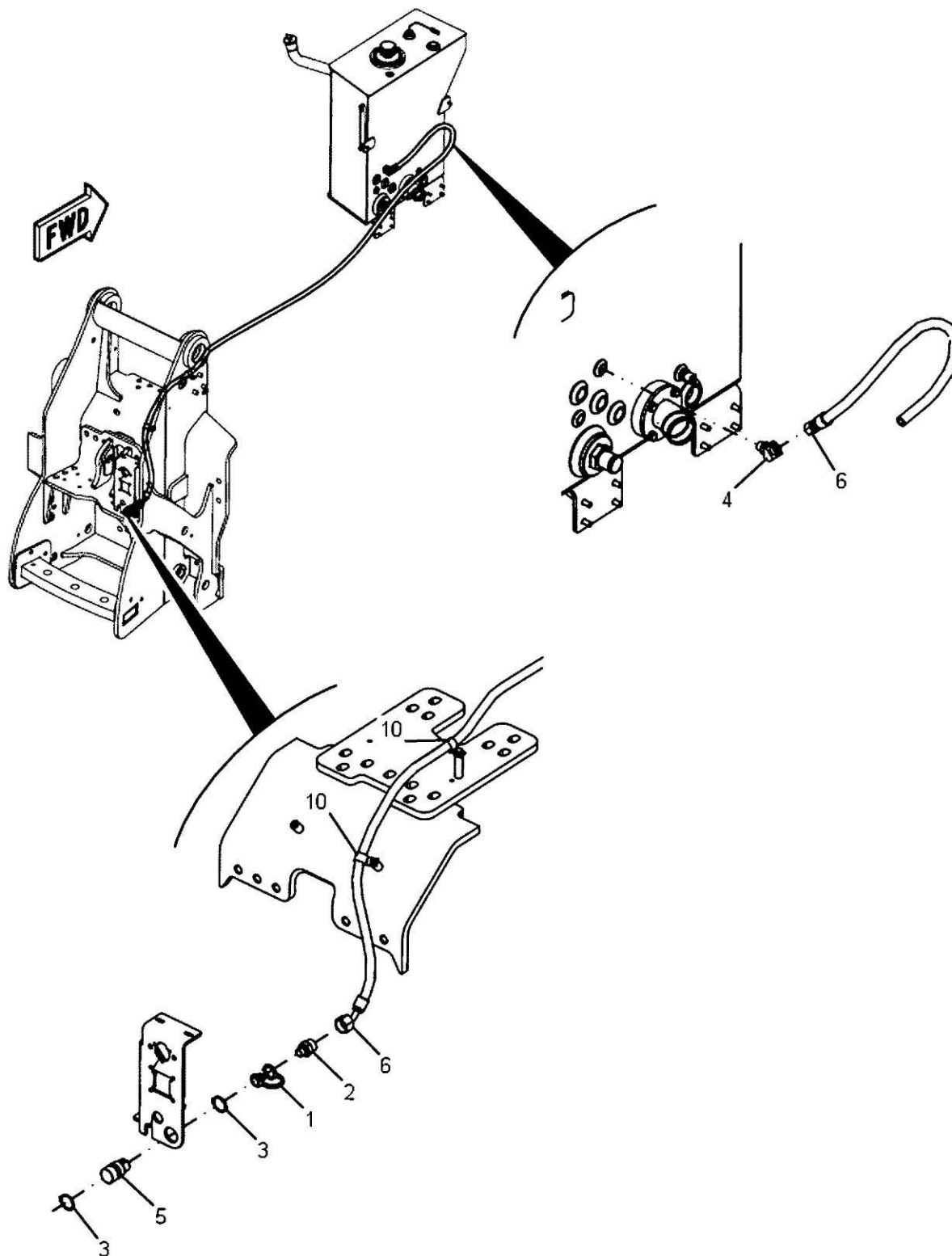
555524D1-1-



555524D1 - PIONEER IMPLEMENT CASE DRAIN KIT - DRAWBAR

| ITEM | PART NUMBER | QTY | DESCRIPTION COMMENTS | TECHNICAL SPECIFICATION |
|------|-------------|-----|----------------------|----------------------------------|
| | 555524D1 | 1 | OIL DRAIN KIT | |
| 1 | 400058X1 | 2 | HEXAGONAL HEAD BOLT | M10 X 1.5 X 30MM |
| 2 | 400287X1 | 2 | FLAT WASHER | 11MM X 21MM X 2.5MM |
| 3 | 400564X1 | 1 | PLUG | |
| 4 | 400963X1 | 1 | CONNECTOR | 8 STOR X -12 ORFS |
| | 400366X1 | 1 | O-RING | 22.5MM OD X 1.78MM |
| | CH3K-0360 | 1 | O-RING | 16.36MM ID X 2.21MM |
| 5 | 400968X1 | 2 | SNAPRING | |
| 6 | 400981X1 | 1 | ELBOW FITTING | -8STOR X -8ORFS, 45D |
| | CH3K-0360 | 1 | O-RING | 16.36MM ID X 2.21MM |
| | CH6V-8398 | 1 | O-RING | 16.03MM OD X 1.78MM |
| 7 | 502471D1 | 1 | COUPLER | |
| | 400568X1 | 1 | RETAINER | 20.8MM ID X 26.6MM OD X0.81MM |
| | 400569X1 | 1 | O-RING SEAL | 20.22MM X 3.53MM |
| 8 | 523210D1 | 1 | BRACKET | |
| 9 | 571698D1 | 1 | DRAIN HOSE | 12.7MM X 3963MM |

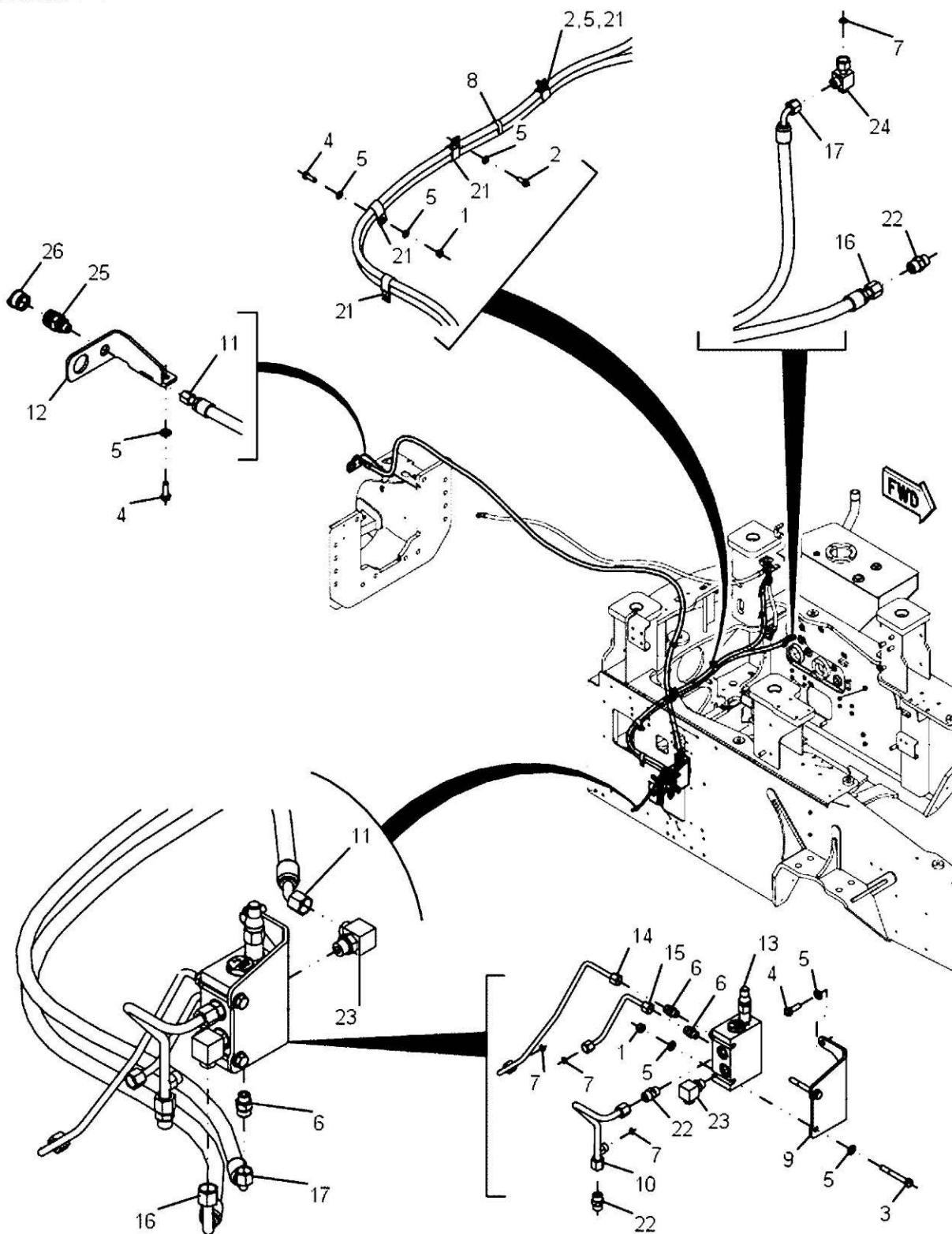
576366D1-1-



576366D1 - PIONEER IMPLEMENT CASE DRAIN KIT

| ITEM | PART NUMBER | QTY | DESCRIPTION COMMENTS | TECHNICAL SPECIFICATION |
|------|-------------|-----|----------------------|-------------------------|
| | 576366D1 | 1 | OIL DRAIN KIT | |
| 1 | 400564X1 | 1 | PLUG | |
| 2 | 400963X1 | 1 | CONNECTOR | 8 STOR X -12 ORFS |
| | 400366X1 | 1 | O-RING | 22.5MM OD X 1.78MM |
| | CH3K-0360 | 1 | O-RING | 16.36MM ID X 2.21MM |
| 3 | 400968X1 | 2 | SNAPRING | |
| 4 | 400981X1 | 1 | ELBOW FITTING | -8STOR X -8ORFS, 45D |
| | CH3K-0360 | 1 | O-RING | 16.36MM ID X 2.21MM |
| | CH6V-8398 | 1 | O-RING | 16.03MM OD X 1.78MM |
| 5 | 502471D1 | 1 | COUPLER | |
| | 400569X1 | 1 | O-RING SEAL | 20.22MM X 3.53MM |
| 6 | 553589D1 | 1 | DRAIN HOSE | 12.7MM X 4028MM |
| 10 | CH6D-4244 | 2 | P-CLIP | |

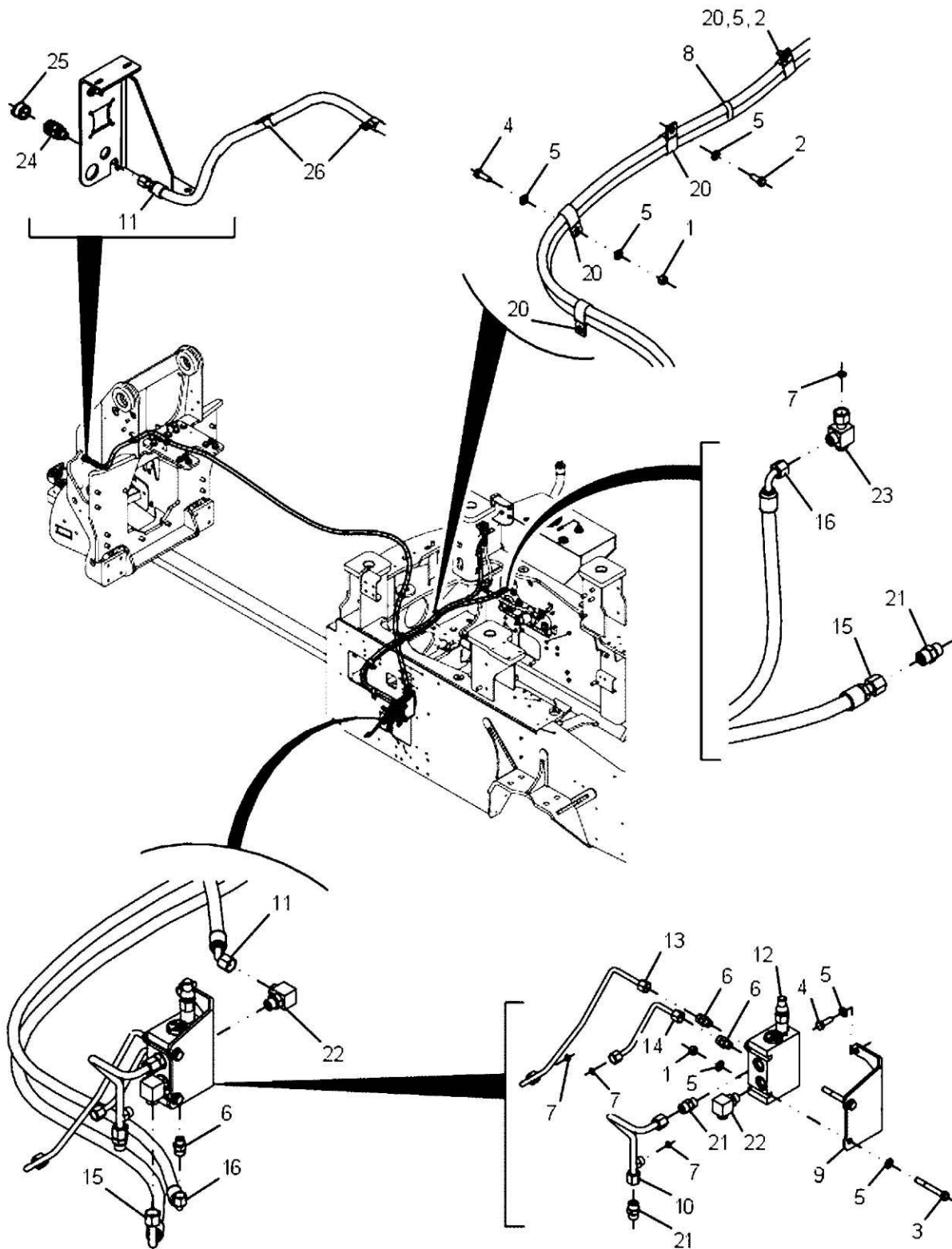
555525D1-1-



55525D1 - HYDRAULIC TRAILER BRAKE KIT, DRAWBAR

| ITEM | PART NUMBER | QTY | DESCRIPTION COMMENTS | TECHNICAL SPECIFICATION |
|------|-------------|-----|---------------------------|--------------------------|
| | 55525D1 | 1 | TRAILER BRAKE | HYD |
| 1 | 7774664 | 3 | HEX NUT | M10 X 1.5 |
| 2 | 400039X1 | 2 | HEXAGONAL HEAD BOLT | M10 X 1.5 X 25MM, CL10.9 |
| 3 | 400044X1 | 2 | HEXAGONAL HEAD BOLT | M10 X 1.5 X 80MM, CL10.9 |
| 4 | 400058X1 | 5 | HEXAGONAL HEAD BOLT | M10 X 1.5 X 30MM |
| 5 | 400287X1 | 12 | FLAT WASHER | 11MM X 21MM X 2.5MM |
| 6 | 400367X1 | 3 | CONNECTOR FITTING | -6 STOR X -6 ORFS |
| | 400318X1 | 1 | O-RING | 11.89MM ID X 1.98MM |
| | 400378X1 | 1 | O-RING | 12.83MM OD X 1.78MM |
| 7 | 400378X1 | 4 | O-RING | 12.83MM OD X 1.78MM |
| 8 | 402295X1 | 2 | CABLE TIE | 390MM X 12.7MM |
| 9 | 523074D1 | 1 | VALVE BRACKET | |
| 10 | 523077D1 | 1 | TUBE | |
| 11 | 523207D1 | 1 | HOSE | |
| 12 | 523210D1 | 1 | BRACKET | |
| 13 | CH9F-2167 | 1 | BLEED SCREW | 3/8"-24 |
| | CH162-0177 | 1 | PLUG | 9/16"-18 |
| | 536429D1 | 1 | VALVE SEE PAGE 06-0015 | ASM-TRAILER BRAKE, HY |
| | 527341D1 | 1 | VALVE KIT | |
| | 527321D1 | 1 | CARTRIDGE VALVE | |
| | 527330D1 | 1 | SEQUENCE VALVE | |
| 14 | 566319D1 | 1 | BRAKE HOSE | 7.04MM X 243.3MM |
| 15 | 566320D1 | 1 | HOSE | 7.04MM X 138.7MM |
| 16 | 566486D1 | 1 | BRAKE HOSE | 12.7MM X 1961MM |
| 17 | 566487D1 | 1 | BRAKE HOSE | 9.52MM X 2145MM |
| 21 | CH100-4336 | 4 | P-CLIP | 20.62MM ID, DOUBLE |
| 22 | CH148-8340 | 3 | CONNECTOR | 08 ORFS X 08 STOR |
| | CH3K-0360 | 1 | O-RING | 16.36MM ID X 2.21MM |
| | CH6V-8398 | 1 | O-RING | 16.03MM OD X 1.78MM |
| 23 | CH148-8364 | 2 | ELBOW FITTING | 3/4"-16 X 13/16"-16 |
| | CH3K-0360 | 1 | O-RING | 16.36MM ID X 2.21MM |
| | CH6V-8398 | 1 | O-RING | 16.03MM OD X 1.78MM |
| 24 | 400378X1 | 2 | O-RING | 12.83MM OD X 1.78MM |
| | CH148-8433 | 1 | TEE FITTING | 3X 11/16"-16 |
| 25 | CH185-3959 | 1 | QUICK CONNECT COUPLER | 12 STOR ML |
| | 400378X1 | 1 | O-RING | 12.83MM OD X 1.78MM |
| 26 | CH223-9254 | 1 | DUST CAP | |

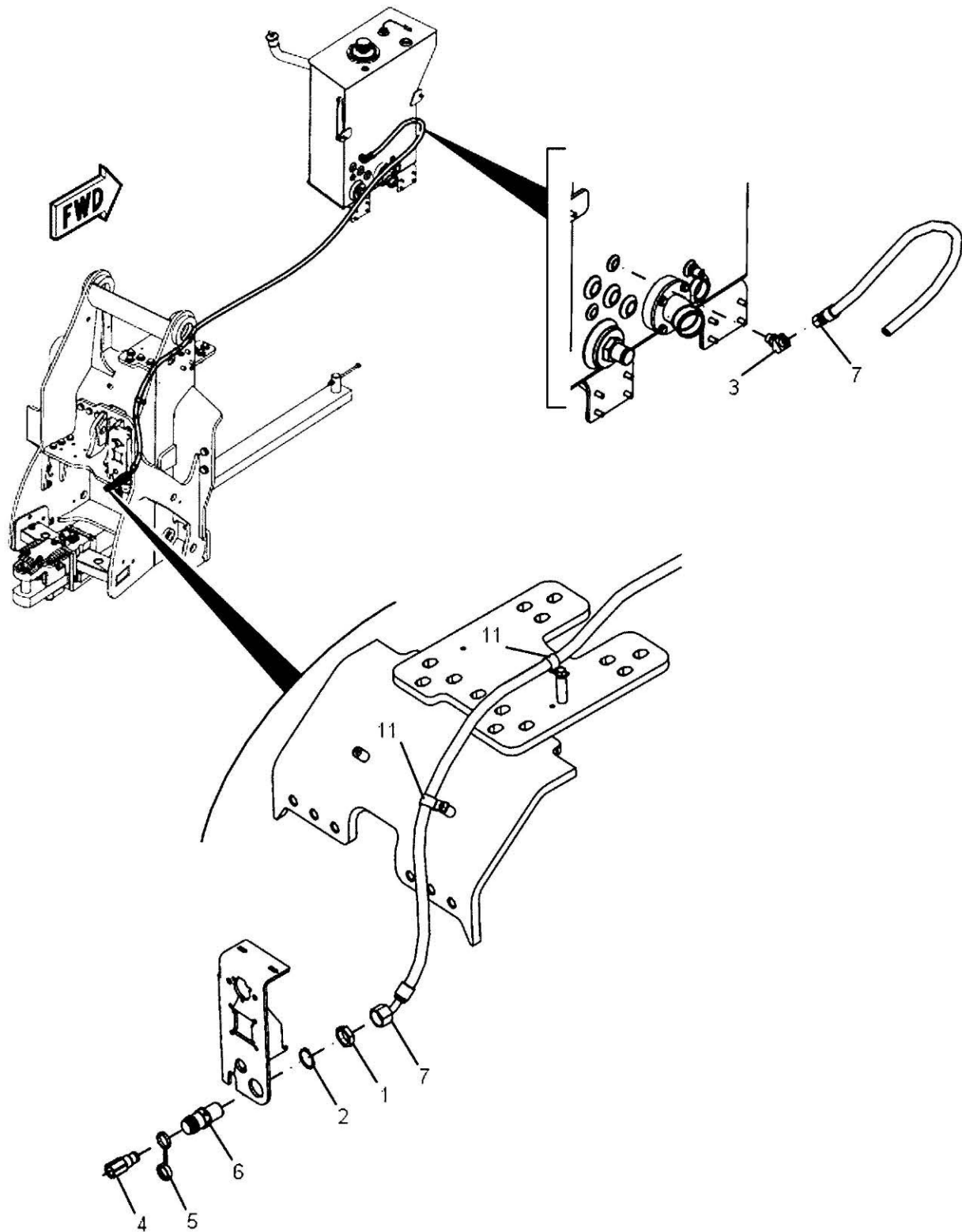
555526D1-1-



555526D1 - HYDRAULIC TRAILER BRAKE KIT, HITCH

| ITEM | PART NUMBER | QTY | DESCRIPTION COMMENTS | TECHNICAL SPECIFICATION |
|------|-------------|-----|---------------------------|--------------------------|
| | 555526D1 | 1 | TRAILER BRAKE | HYD |
| 1 | 7774664 | 3 | HEX NUT | M10 X 1.5 |
| 2 | 400039X1 | 2 | HEXAGONAL HEAD BOLT | M10 X 1.5 X 25MM, CL10.9 |
| 3 | 400044X1 | 2 | HEXAGONAL HEAD BOLT | M10 X 1.5 X 80MM, CL10.9 |
| 4 | 400058X1 | 3 | HEXAGONAL HEAD BOLT | M10 X 1.5 X 30MM |
| 5 | 400287X1 | 10 | FLAT WASHER | 11MM X 21MM X 2.5MM |
| 6 | 400367X1 | 3 | CONNECTOR FITTING | -6 STOR X -6 ORFS |
| | 400378X1 | 1 | O-RING | 12.83MM OD X 1.78MM |
| | 400318X1 | 1 | O-RING | 11.89MM ID X 1.98MM |
| 7 | 400378X1 | 4 | O-RING | 12.83MM OD X 1.78MM |
| 8 | 402295X1 | 2 | CABLE TIE | 390MM X 12.7MM |
| 9 | 523074D1 | 1 | VALVE BRACKET | |
| 10 | 523077D1 | 1 | TUBE | |
| 11 | 523207D1 | 1 | HOSE | |
| 12 | 536429D1 | 1 | VALVE SEE PAGE 06-0015 | ASM-TRAILER BRAKE, HY |
| 13 | 566319D1 | 1 | BRAKE HOSE | 7.04MM X 243.3MM |
| 14 | 566320D1 | 1 | HOSE | 7.04MM X 138.7MM |
| 15 | 566486D1 | 1 | BRAKE HOSE | 12.7MM X 1961MM |
| 16 | 566487D1 | 1 | BRAKE HOSE | 9.52MM X 2145MM |
| 20 | CH100-4336 | 4 | P-CLIP | 20.62MM ID, DOUBLE |
| 21 | CH148-8340 | 3 | CONNECTOR | 08 ORFS X 08 STOR |
| | CH6V-8398 | 1 | O-RING | 16.03MM OD X 1.78MM |
| | CH3K-0360 | 1 | O-RING | 16.36MM ID X 2.21MM |
| 22 | CH148-8364 | 2 | ELBOW FITTING | 3/4"-16 X 13/16"-16 |
| | CH6V-8398 | 1 | O-RING | 16.03MM OD X 1.78MM |
| | CH3K-0360 | 1 | O-RING | 16.36MM ID X 2.21MM |
| 23 | CH148-8433 | 1 | TEE FITTING | 3X 11/16"-16 |
| | 400378X1 | 2 | O-RING | 12.83MM OD X 1.78MM |
| 24 | CH185-3959 | 1 | QUICK CONNECT COUPLER | 12 STOR ML |
| | 400378X1 | 1 | O-RING | 12.83MM OD X 1.78MM |
| 25 | CH223-9254 | 1 | DUST CAP | |
| 26 | CH6D-4244 | 2 | P-CLIP | |

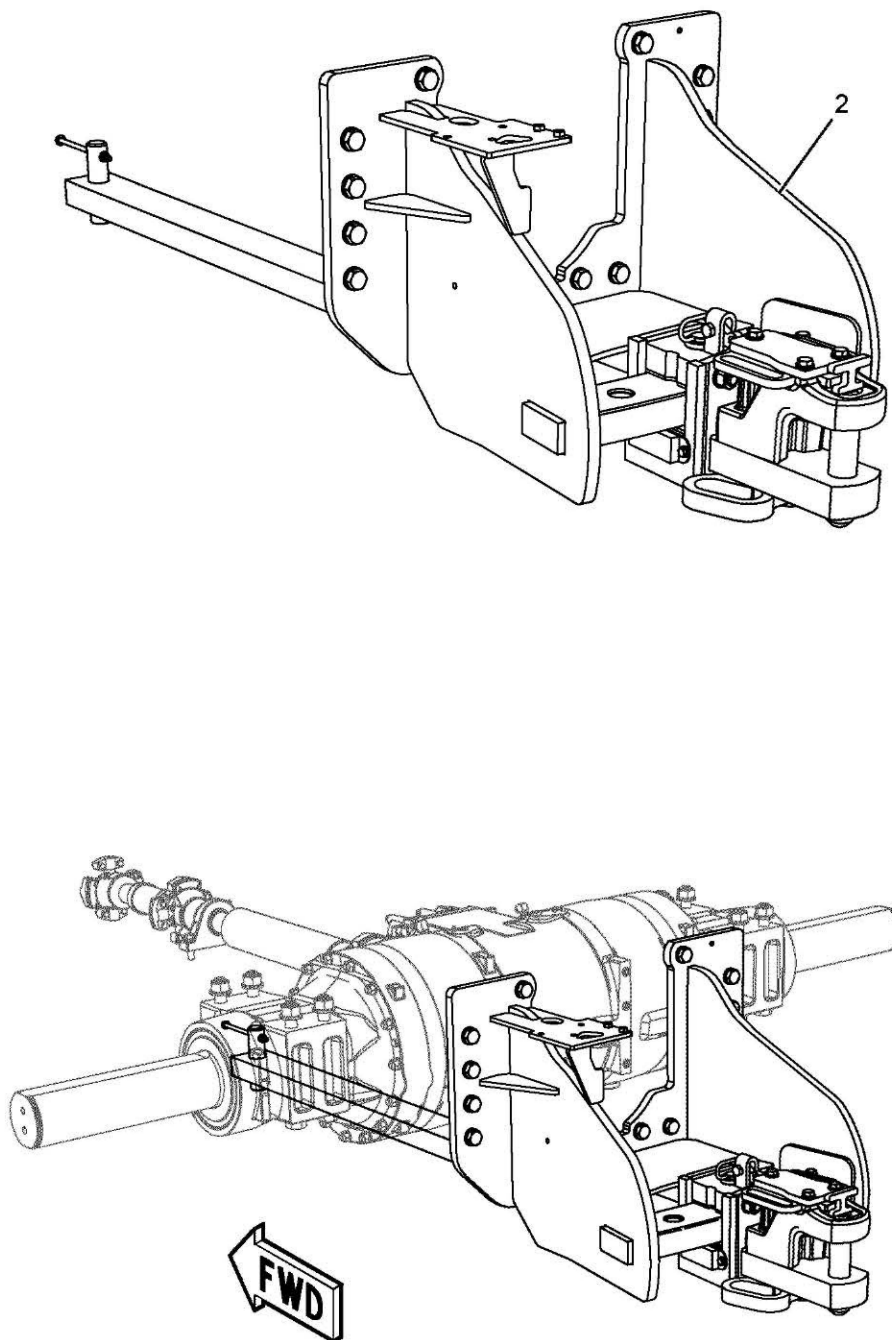
576365D1-1-



576365D1 - IMPLEMENT LINES - CASE DRAIN KIT

| ITEM | PART NUMBER | QTY | DESCRIPTION COMMENTS | TECHNICAL SPECIFICATION |
|------|-------------|-----|----------------------|--------------------------|
| | 576365D1 | 1 | OIL DRAIN KIT | |
| 1 | 400961X1 | 1 | HEX NUT | 1-3/16"-12 |
| 2 | 400968X1 | 1 | SNAPRING | |
| 3 | 400981X1 | 1 | ELBOW FITTING | -8STOR X -8ORFS, 45D |
| | CH6V-8398 | 1 | O-RING | 16.03MM OD X 1.78MM |
| | CH3K-0360 | 1 | O-RING | 16.36MM ID X 2.21MM |
| 4 | 502472D1 | 1 | NIPPLE | -6 FFOR |
| 5 | 502473D1 | 1 | DUST CAP | |
| 6 | 502475D1 | 1 | COUPLER | |
| | 502470D1 | 1 | COUPLER | 1-3/16"-12, -6 FLAT FACE |
| | 400366X1 | 1 | O-RING | 22.5MM OD X 1.78MM |
| 7 | 553589D1 | 1 | DRAIN HOSE | 12.7MM X 4028MM |
| 11 | CH6D-4244 | 2 | P-CLIP | |

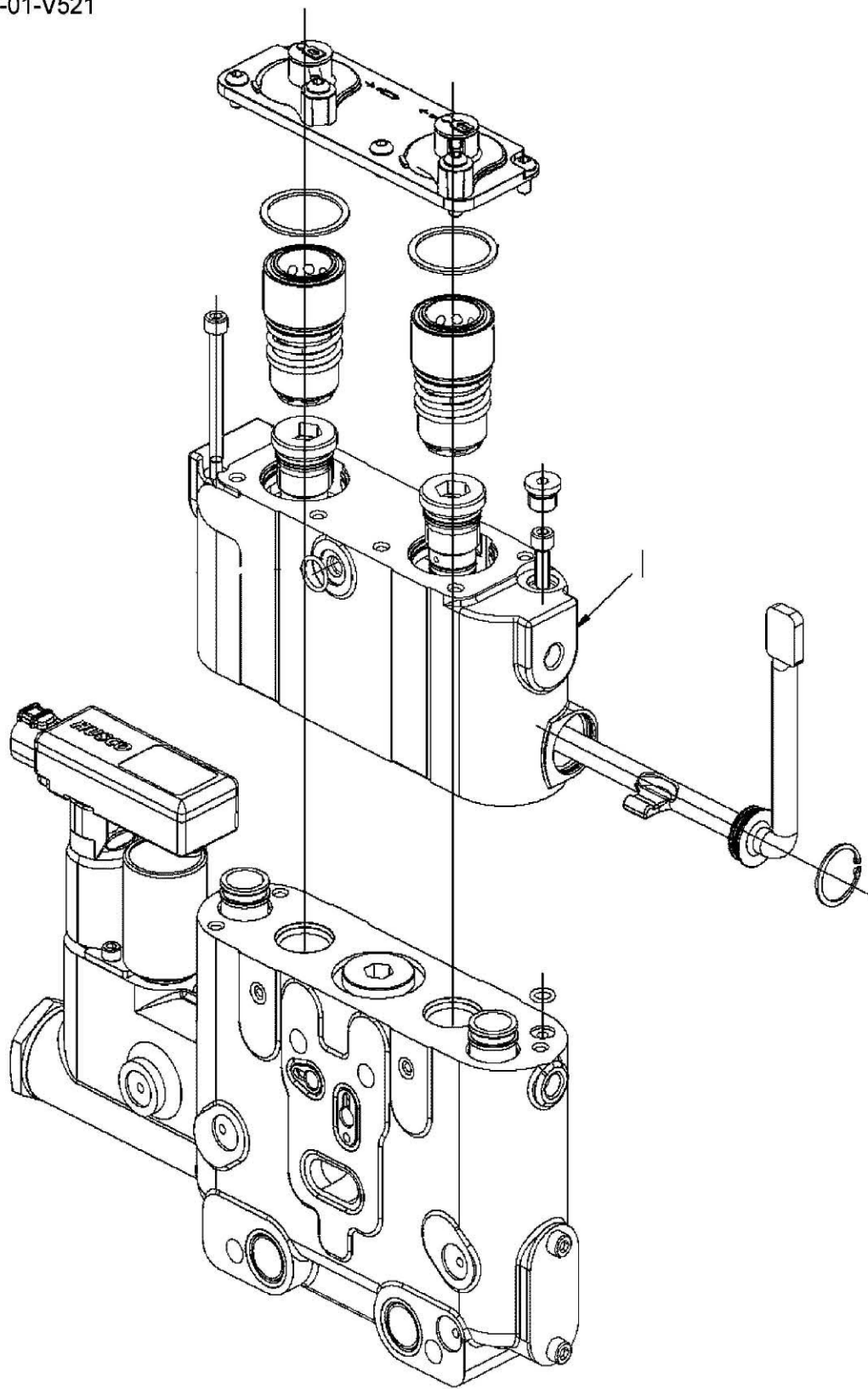
576028D1-1-01



576028D1 - WIDE SWINGING DRAWBAR HITCH ARRANGEMENT - CATEGORY 4 DRAWBAR

| ITEM | PART NUMBER | QTY | DESCRIPTION COMMENTS | TECHNICAL SPECIFICATION |
|------|-------------|-----|------------------------------------------|-------------------------|
| | | | WIDE SWINGING KIT | |
| | 576028D1 | 1 | DRAWBAR KIT | |
| 2 | NS | 1 | NON-SERVICEABLE PART SEE PAGE 18-0036 | |

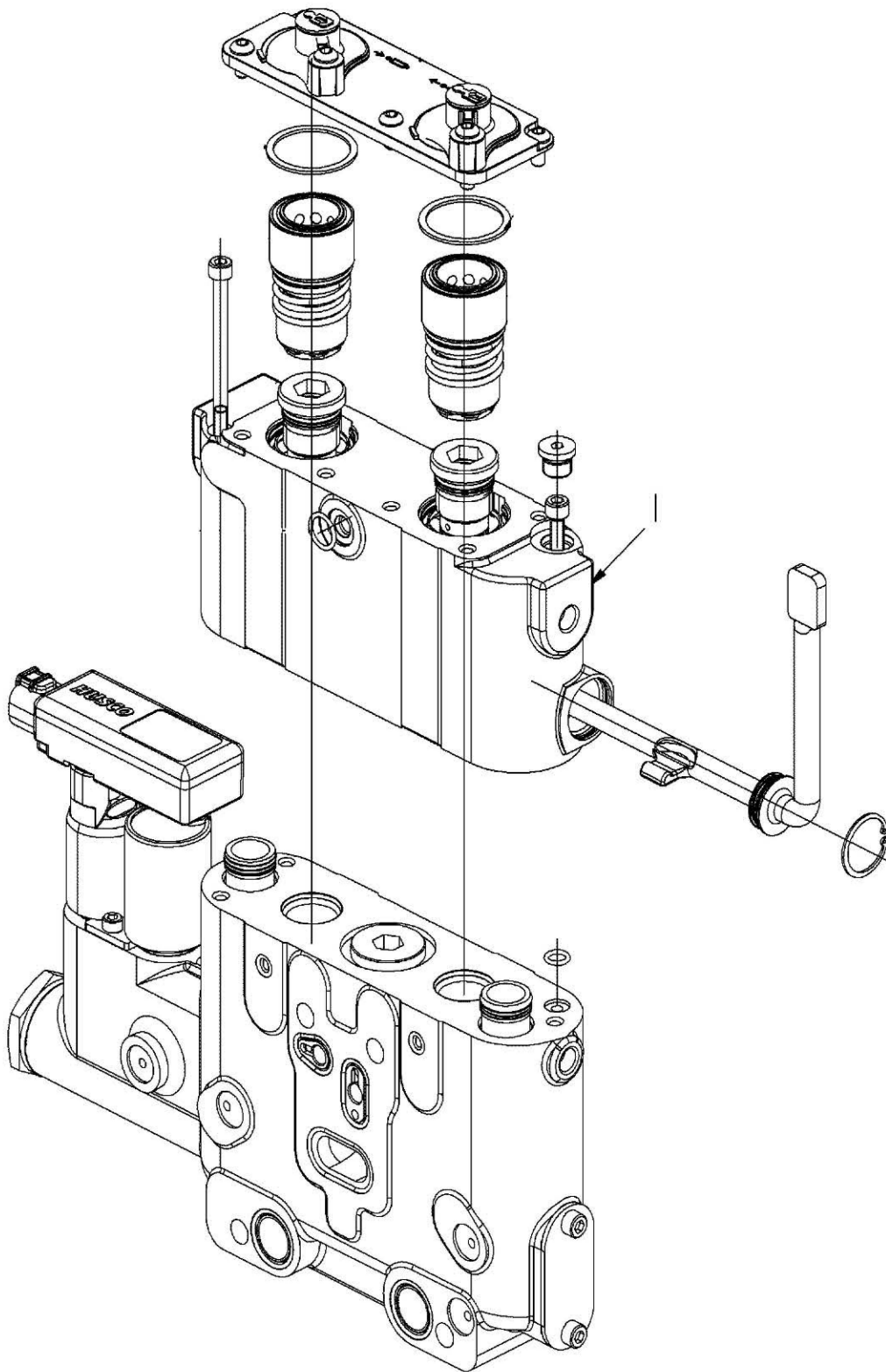
534451D1-01-V521



534451D1 - 1/2 INCH TOP OR MIDDLE COUPLER CONVERSION KIT

| ITEM | PART NUMBER | QTY | DESCRIPTION COMMENTS | TECHNICAL SPECIFICATION |
|------|-------------|-----|---------------------------------------------------|-------------------------|
| | 534451D1 | 1 | COUPLER KIT | 1/2" |
| 1 | 527343D1 | 1 | KIT SERVICED ONLY AS A KIT SEE PAGE 08-0065 | 1/2 TOP/MID |
| | 535182D1 | 1 | INSTRUCTIONS NOT SHOWN | |

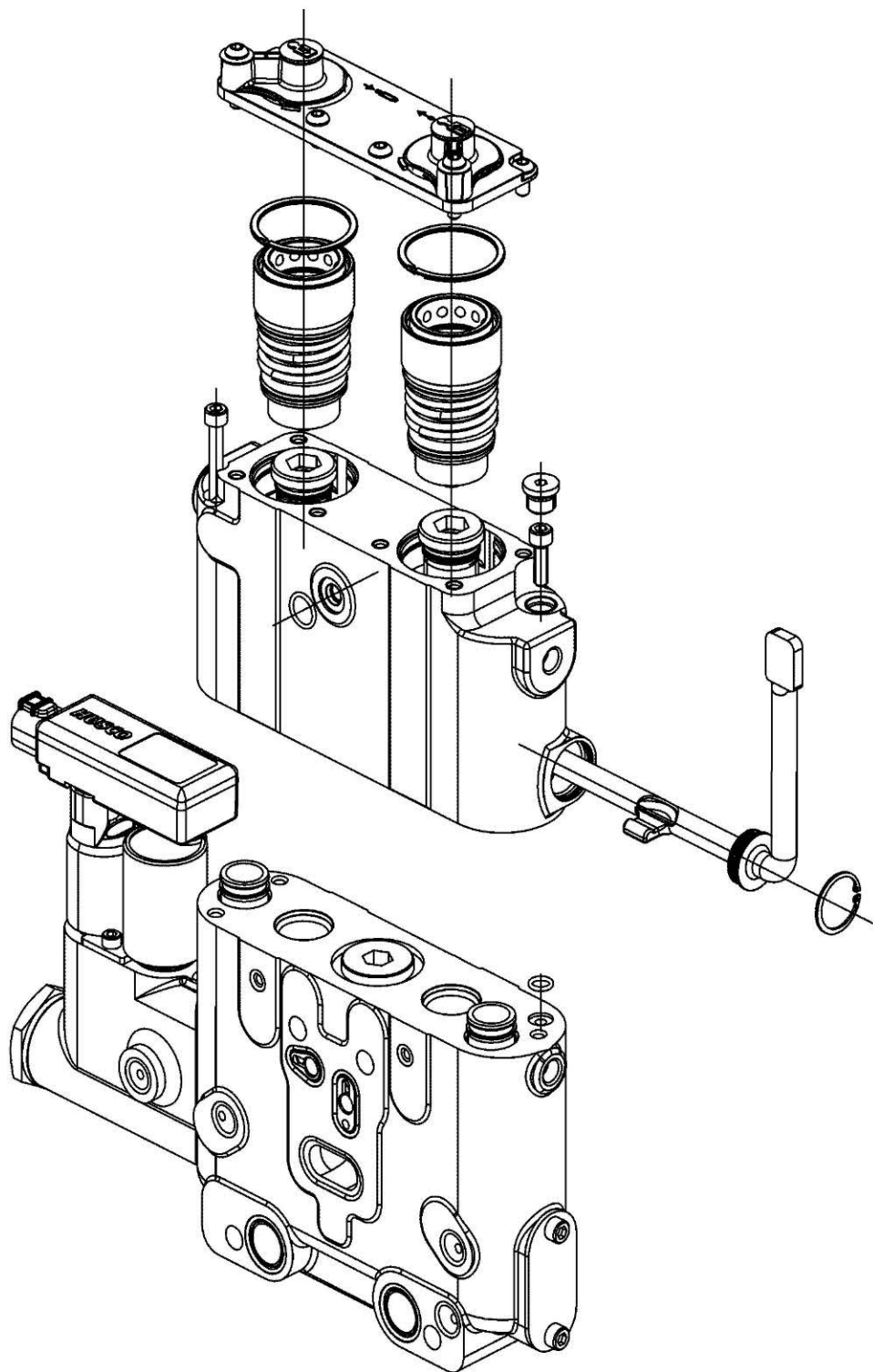
534450D1-01-V521



534450D1 - 1/2 INCH BOTTOM COUPLER CONVERSION KIT

| ITEM | PART NUMBER | QTY | DESCRIPTION COMMENTS | TECHNICAL SPECIFICATION |
|------|-------------|-----|----------------------------------------------------|-------------------------|
| | 534450D1 | 1 | COUPLER KIT | 1/2" |
| 1 | 527344D1 | 1 | KIT SERVICED ONLY AS A KIT. SEE PAGE 08-0062 | 1/2 / BOT |
| | 534449D1 | 1 | INSTRUCTIONS NOT SHOWN | |

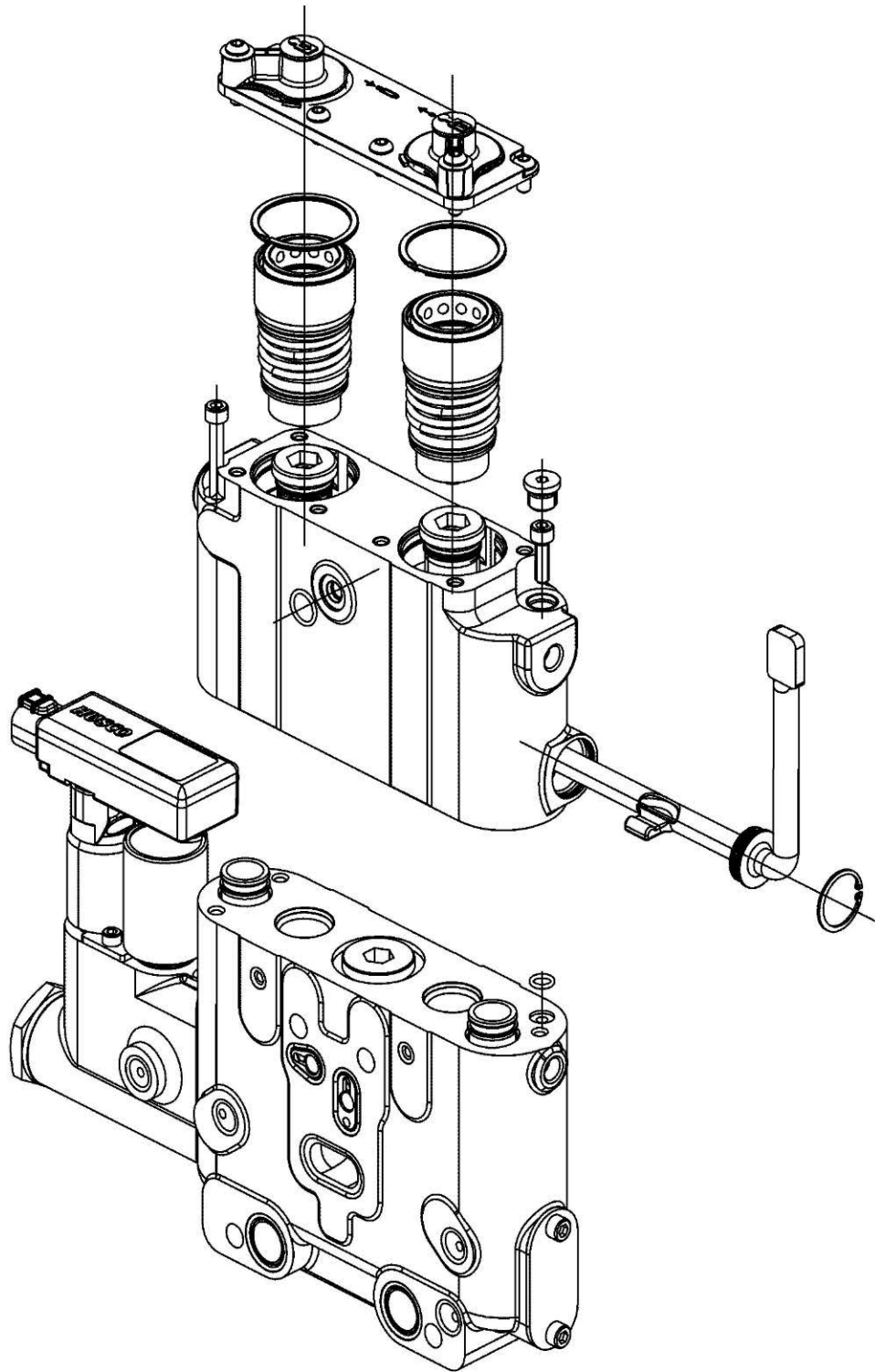
534076D1-01-V521



534076D1 - 3/4 INCH TOP OR MIDDLE COUPLER CONVERSION KIT

| ITEM | PART NUMBER | QTY | DESCRIPTION COMMENTS | TECHNICAL SPECIFICATION |
|------|-------------|-----|------------------------------------------------------------------|-------------------------|
| | 534076D1 | 1 | COUPLER KIT | 3/4" |
| | 527352D1 | 1 | VALVE SERVICE KIT SERVICED ONLY AS A KIT. SEE PAGE 08-0061 | |
| | 535181D1 | 1 | INSTRUCTIONS NOT SHOWN | |

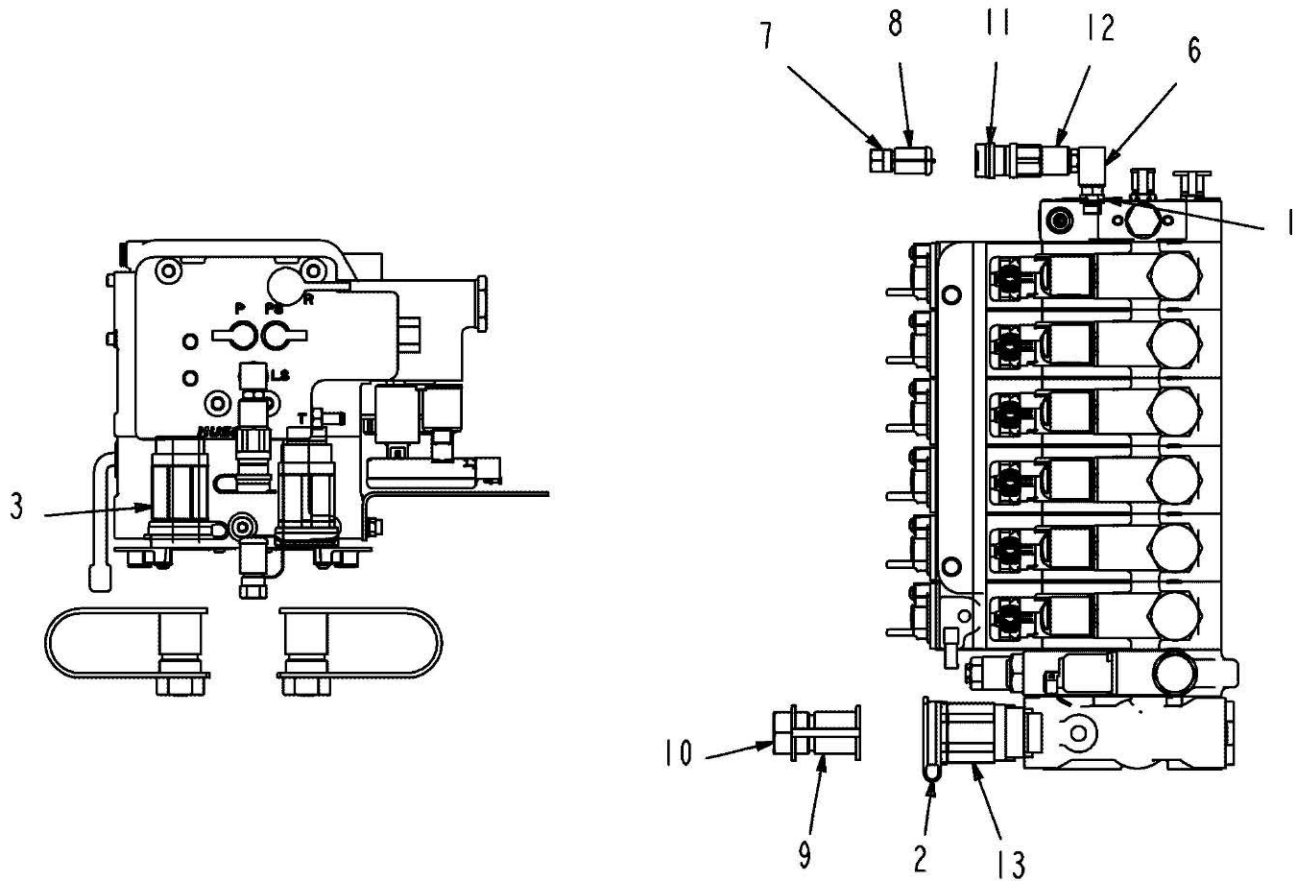
534075D1-01-V521



534075D1 - 3/4 INCH BOTTOM COUPLER CONVERSION KIT

| ITEM | PART NUMBER | QTY | DESCRIPTION COMMENTS | TECHNICAL SPECIFICATION |
|------|-------------|-----|---------------------------------------|-------------------------|
| | 534075D1 | 1 | COUPLER KIT | 3/4" |
| | 527351D1 | 1 | VALVE SERVICE KIT SEE PAGE 08-0060 | |
| | 534077D1 | 1 | INSTRUCTIONS NOT SHOWN | |

522950D1-02-V195

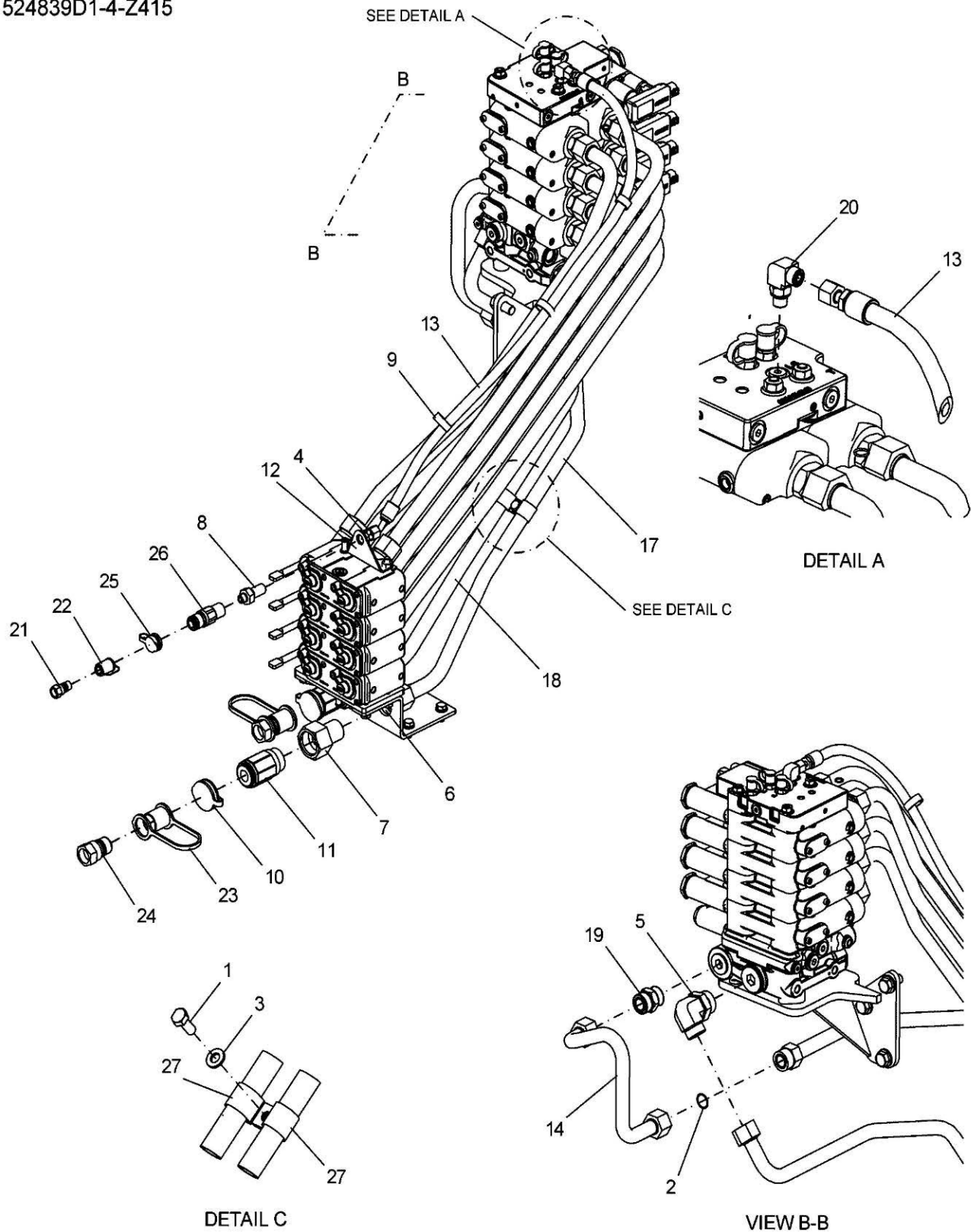


522950D1 - 3/4 INCH POWER BEYOND COUPLER GROUP - GREATER THAN 60 LITERS PER MINUTE

| ITEM | PART NUMBER | QTY | DESCRIPTION COMMENTS | TECHNICAL SPECIFICATION |
|------|-------------|-----|-----------------------------------------|-------------------------|
| | 522950D1 | 1 | COUPLER KIT | 3/4" |
| 1 | AG717340 | 1 | ADAPTER FITTING | 3/8" M OR X 3/8" M OR |
| 2 | 501947D1 | 2 | DUST PLUG | |
| 3 | 502031D1 | 1 | COUPLER | |
| | CH201-7614 | 1 | BACK-UP RING | 29MM X 33.6MM X 1.3MM |
| | CH2K-8199 | 1 | O-RING | 28.24MM ID X 2.62MM DIA |
| | CH159-5893 | 1 | DUST CAP | |
| 6 | CH150-3065 | 1 | ADAPTER 90 DEGREE 6 STOR X 6 STOR | 6 STOR X 6 STOR, 90D |
| | 400318X1 | 1 | O-RING | 11.89MM ID X 1.98MM |
| 7 | CH153-4061 | 1 | UNION | 9/16"-18, 6 STOR |
| 8 | CH153-6225 | 1 | DUST CAP | |
| 9 | CH153-6227 | 2 | DUST CAP | |
| 10 | CH159-5890 | 2 | QUICK COUPLER NIPPLE NIPPLE ASSEMBLY | 1-1/16"-12 |
| 11 | CH159-5893 | 1 | DUST CAP | |
| 12 | CH159-5897 | 1 | COUPLER | |
| 13 | CH183-3724 | 1 | COUPLER | |
| | CH201-7614 | 1 | BACK-UP RING | 29MM X 33.6MM X 1.3MM |
| | CH2K-8199 | 1 | O-RING | 28.24MM ID X 2.62MM DIA |

524839D1 - 3/4 INCH POWER BEYOND COUPLER GROUP, WITH 3 POINT HITCH - GREATER THAN 60 LITERS PER MINUTE

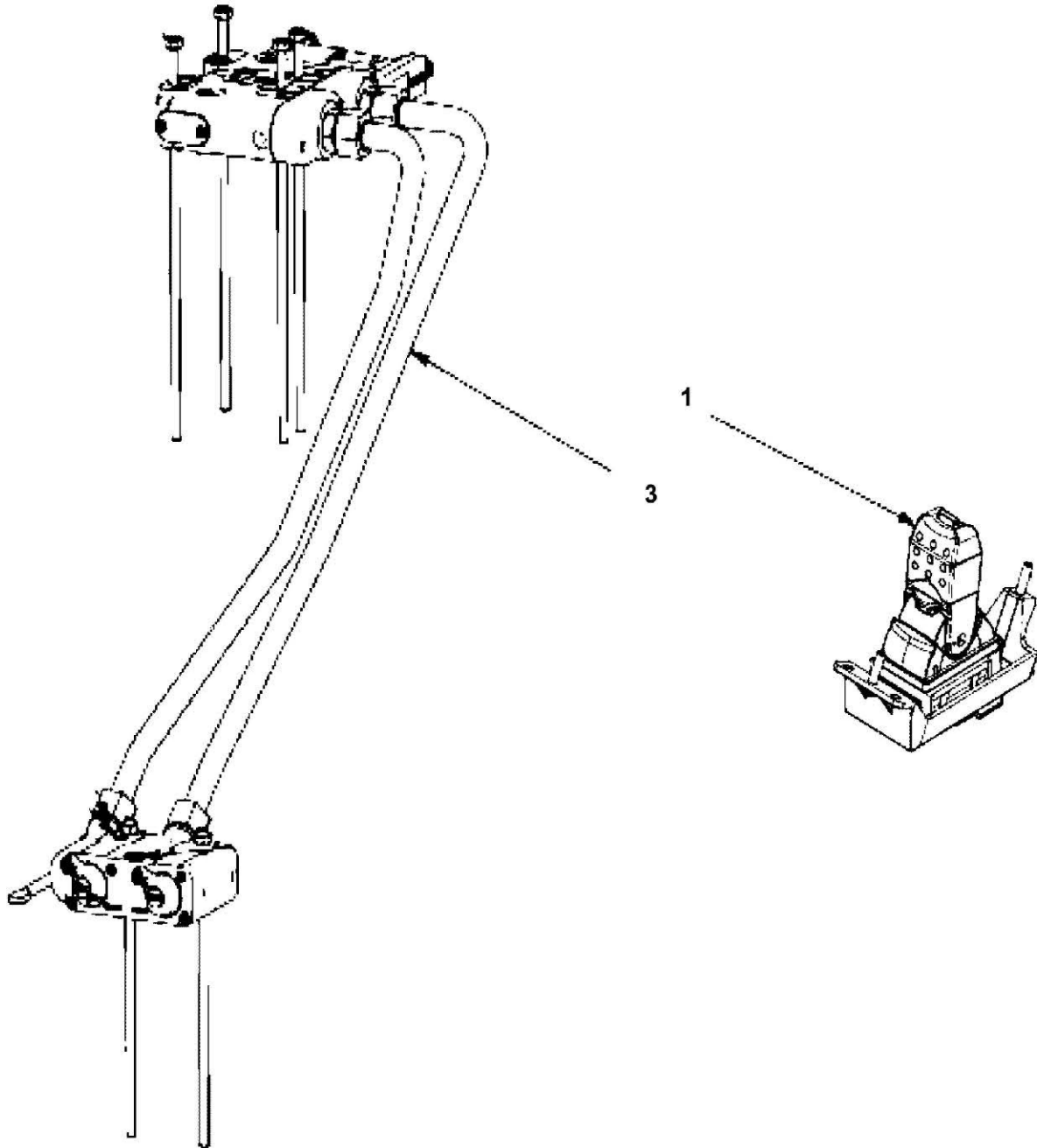
524839D1-4-Z415



524839D1 - 3/4 INCH POWER BEYOND COUPLER GROUP, WITH 3 POINT HITCH - GREATER THAN 60 LITERS PER MINUTE

| ITEM | PART NUMBER | QTY | DESCRIPTION COMMENTS | TECHNICAL SPECIFICATION |
|------|-------------|-----|-------------------------------|--------------------------|
| | 524839D1 | 1 | COUPLER KIT | 3/4" |
| 1 | 400039X1 | 1 | HEXAGONAL HEAD BOLT | M10 X 1.5 X 25MM, CL10.9 |
| 2 | 400123X1 | 1 | O-RING | 27.22MM OD X 1.78MM |
| 3 | 400287X1 | 1 | FLAT WASHER | 11MM X 21MM X 2.5MM |
| 4 | 400347X1 | 1 | HEX NUT | 11/16"-16 |
| 5 | 401290X1 | 1 | ELBOW FITTING | 20 ORFS (2), 90D |
| | 400123X1 | 1 | O-RING | 27.22MM OD X 1.78MM |
| | 400593X1 | 1 | O-RING | 37.46MM ID X 3MM |
| 6 | 401322X1 | 2 | HEX NUT | 1-7/16"-12 |
| 7 | 401742X1 | 2 | ADAPTER | -16 ORFS X -20 F STOR |
| | 400123X1 | 1 | O-RING | 27.22MM OD X 1.78MM |
| 8 | 401774X1 | 1 | BULKHEAD | |
| | 400378X1 | 1 | O-RING | 12.83MM OD X 1.78MM |
| | 400318X1 | 1 | O-RING | 11.89MM ID X 1.98MM |
| 9 | 402295X1 | 3 | CABLE TIE | 390MM X 12.7MM |
| 10 | 501947D1 | 2 | DUST PLUG | |
| 11 | 502031D1 | 2 | COUPLER | |
| | CH2K-8199 | 1 | O-RING | 28.24MM ID X 2.62MM DIA |
| | CH201-7614 | 1 | BACK-UP RING | 29MM X 33.6MM X 1.3MM |
| 12 | 526677D1 | 1 | BRACKET | |
| 13 | 526678D1 | 1 | HOSE | |
| 14 | 526679D1 | 1 | TUBE | |
| 17 | 530156D1 | 1 | TUBE SUPPLY, POWER BEYOND | AS-PWR BYND SUPPLY |
| 18 | 530157D1 | 1 | TUBE POWER BEYOND RETURN | AS-PWR BYND RETURN |
| 19 | CH148-8335 | 1 | CONNECTOR O RING FACE SEAL | 16 STOR X 16 ORFS |
| | 400123X1 | 1 | O-RING | 27.22MM OD X 1.78MM |
| | 400376X1 | 1 | O-RING | 29.74MM ID X 2.95MM |
| 20 | CH148-8378 | 1 | ELBOW FITTING | 9/16"-18 X 11/16"-16 |
| | 400378X1 | 1 | O-RING | 12.83MM OD X 1.78MM |
| | 400318X1 | 1 | O-RING | 11.89MM ID X 1.98MM |
| 21 | CH153-4061 | 1 | UNION QUICK COUPLER | 9/16"-18, 6 STOR |
| 22 | CH153-6225 | 1 | DUST CAP | |
| 23 | CH153-6227 | 2 | DUST CAP | |
| 24 | CH159-5890 | 2 | QUICK COUPLER NIPPLE | 1-1/16"-12 |
| 25 | CH159-5893 | 1 | DUST CAP | |
| 26 | CH159-5897 | 1 | COUPLER | |
| 27 | CH4S-1962 | 2 | P-CLIP | 25.4MM ID |

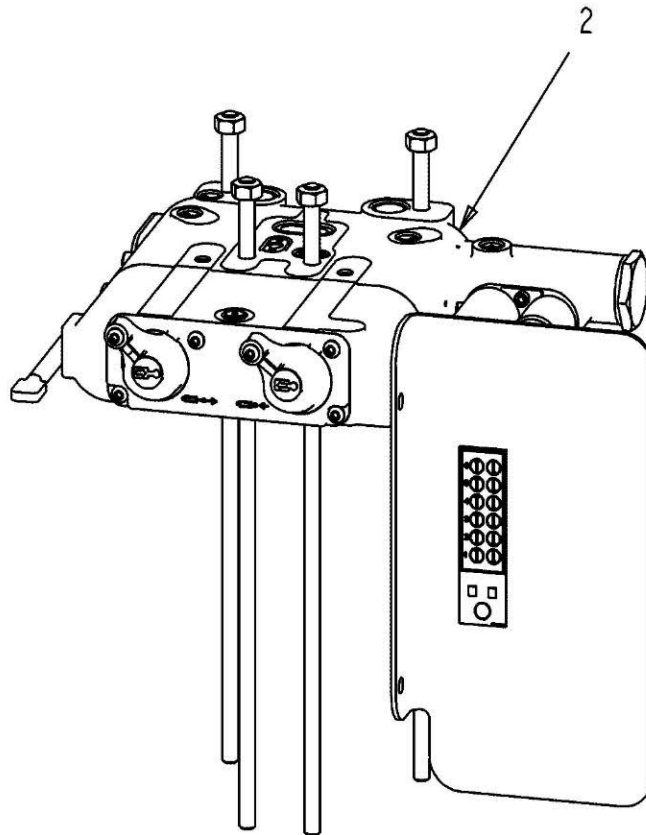
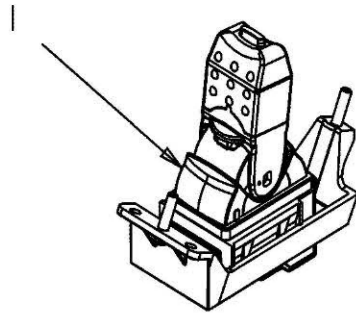
532773D1-01-V085



532773D1 - 4 TO 5 IMPLEMENT VALVE ARRANGEMENT WITH 3 POINT HITCH

| ITEM | PART NUMBER | QTY | DESCRIPTION COMMENTS | TECHNICAL SPECIFICATION |
|------|-------------|-----|------------------------------------------|-------------------------|
| | 532773D1 | 1 | AUXILIARY VALVE INSTALLATION | 4TO5 |
| 1 | NS | 1 | NON-SERVICEABLE PART SEE PAGE 08-0031 | |
| 3 | NS | 1 | NON-SERVICEABLE PART SEE PAGE 08-0055 | |

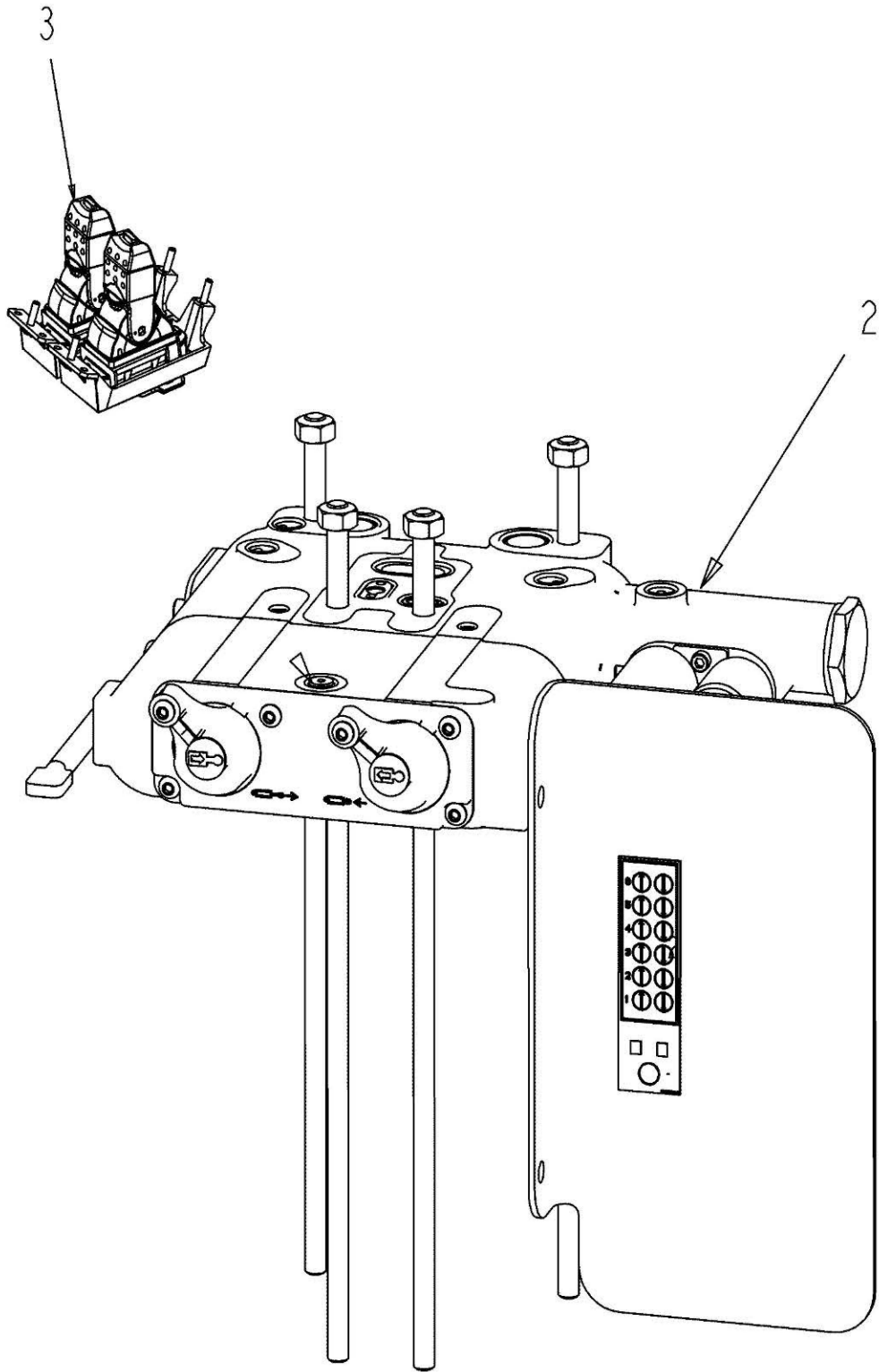
524531D1-02-V085



524531D1 - 4 TO 5 IMPLEMENT VALVE CONVERSION KIT

| ITEM | PART NUMBER | QTY | DESCRIPTION COMMENTS | TECHNICAL SPECIFICATION |
|------|-------------|-----|-------------------------------------------------------|-------------------------|
| | 524531D1 | 1 | AUXILIARY VALVE INSTALLATION | 4TO5 |
| 1 | NS | 1 | NON-SERVICEABLE PART IMPLEMENT SEE PAGE 08-0031 | |
| 2 | 524535D1 | 1 | VALVE KIT 4 BANK TO 5 BANK SEE PAGE 08-0029 | |

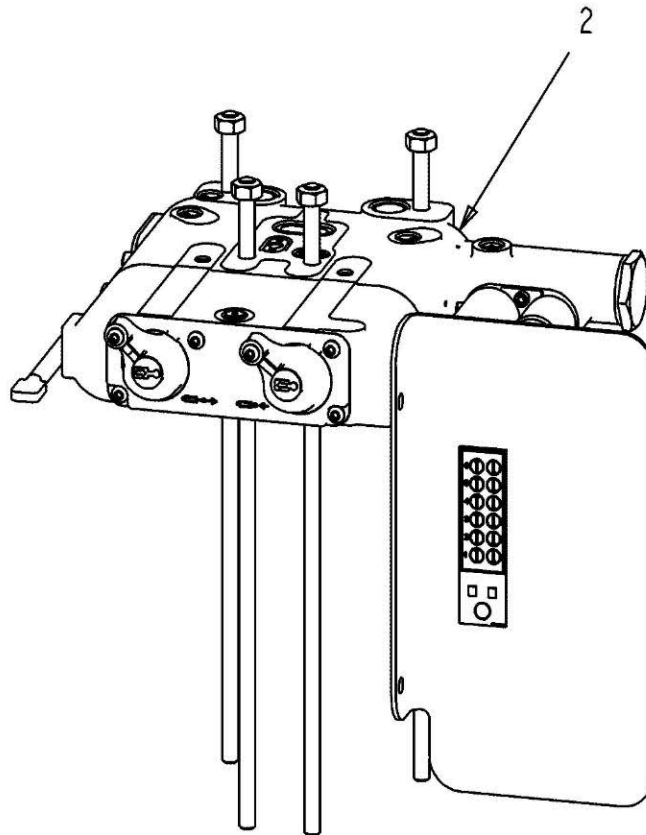
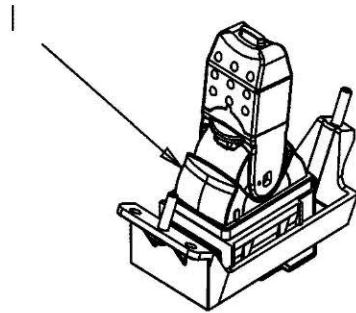
530424D1-01-V085



530424D1 - 4 TO 6 VALVE, 3/4 INCH HIGH FLOW VALVE CONVERSION KIT

| ITEM | PART NUMBER | QTY | DESCRIPTION COMMENTS | TECHNICAL SPECIFICATION |
|------|-------------|-----|------------------------------------------|-------------------------|
| | 530424D1 | | AUXILIARY VALVE INSTALLATION | 4TO6 |
| 2 | NS | 1 | NON-SERVICEABLE PART SEE PAGE 08-0052 | |
| 3 | NS | 1 | NON-SERVICEABLE PART SEE PAGE 08-0053 | |

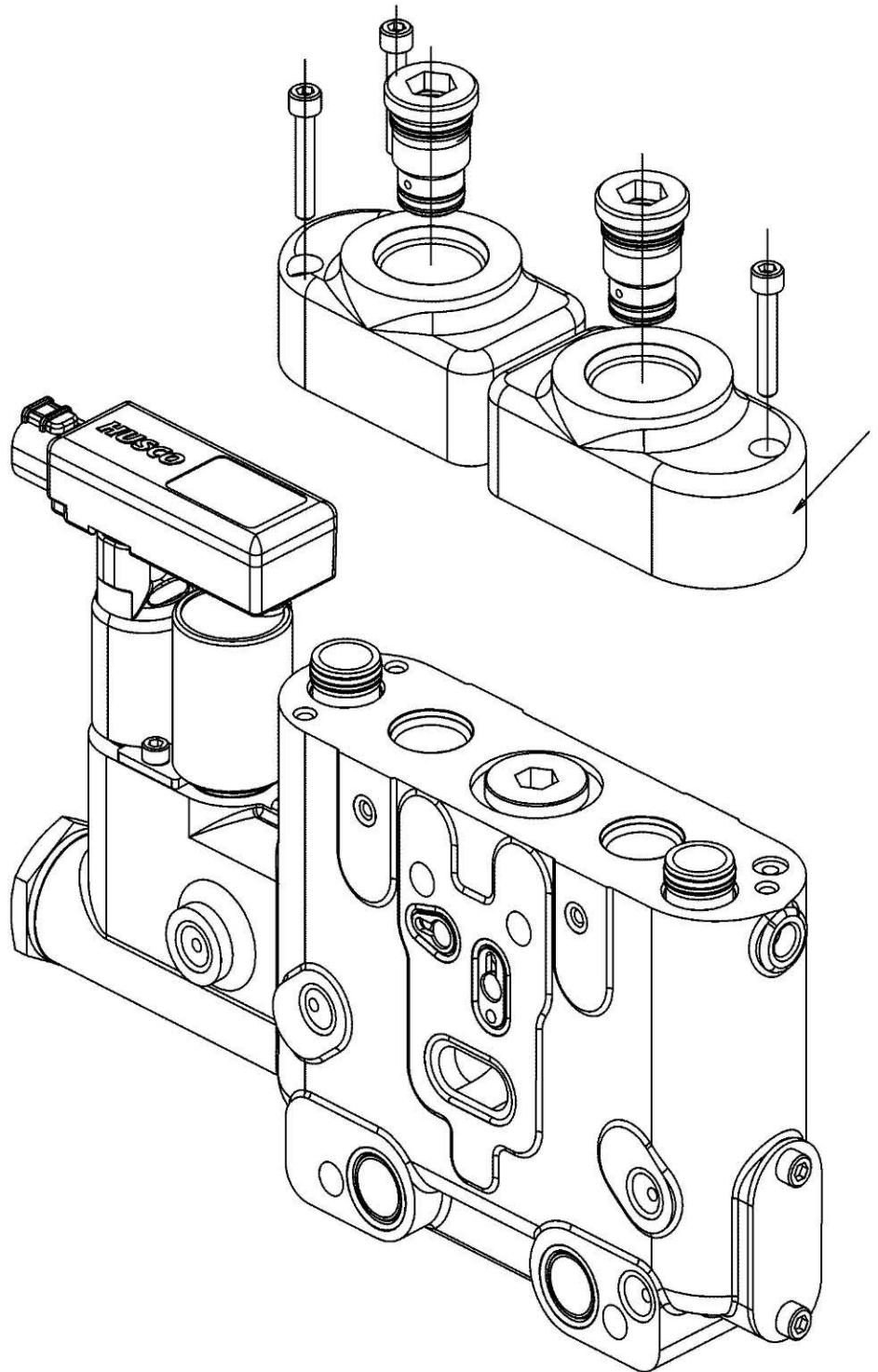
524532D1-02-V085



524532D1 - 5 TO 6 STANDARD IMPLEMENT VALVE CONVERSION KIT

| ITEM | PART NUMBER | QTY | DESCRIPTION COMMENTS | TECHNICAL SPECIFICATION |
|------|-------------|-----|---------------------------------------------------|-------------------------|
| | 524532D1 | 1 | AUXILIARY VALVE INSTALLATION | 5TO6 |
| 1 | NS | 1 | NON-SERVICEABLE PART SEE PAGE 08-0032 | |
| 2 | 524536D1 | 1 | VALVE KIT 5 BANK TO 6 BANK SEE PAGE 08-0030 | |

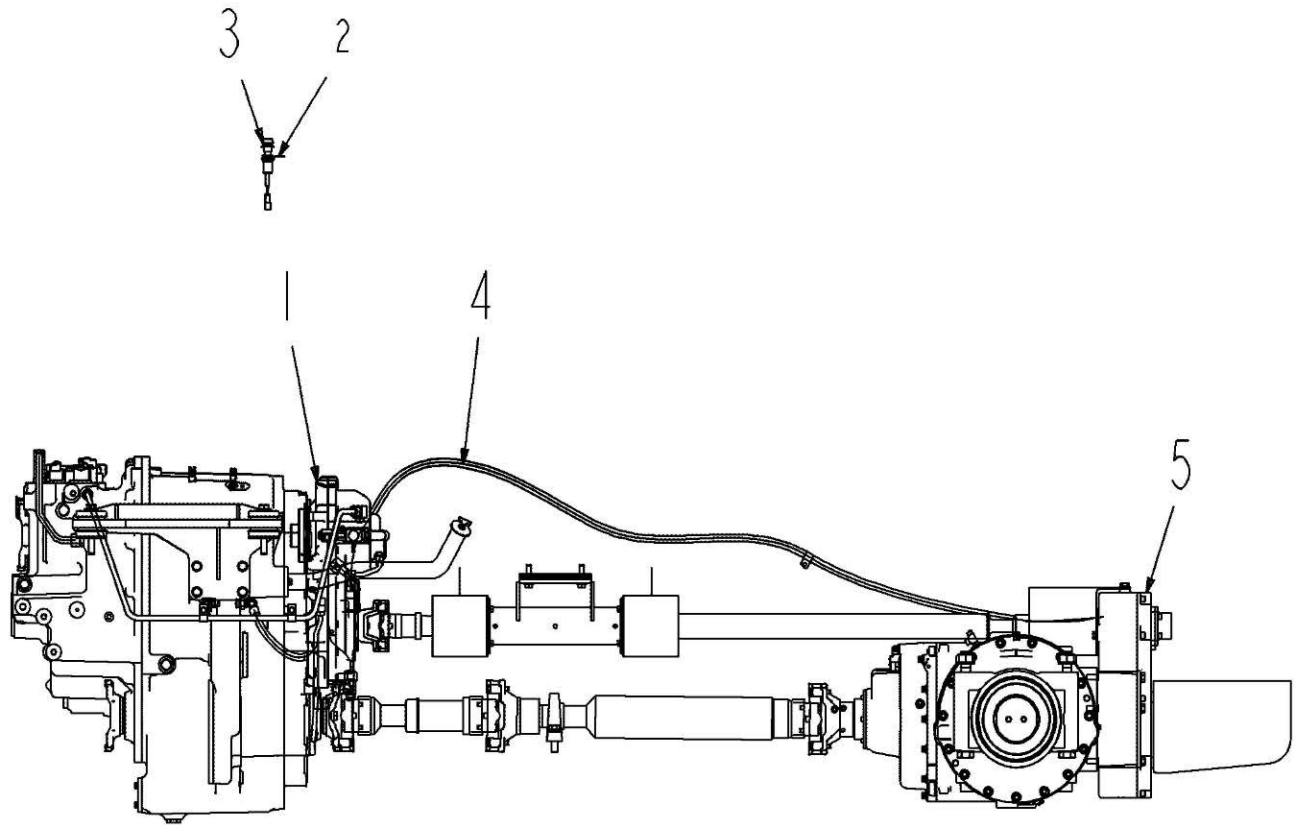
534448D1-01-V521



534448D1 - THREADED PORTS COUPLER KIT

| ITEM | PART NUMBER | QTY | DESCRIPTION COMMENTS | TECHNICAL SPECIFICATION |
|------|-------------|-----|---------------------------------------------------------------|-------------------------|
| | 534448D1 | 1 | COUPLER KIT | |
| 1 | 533387D1 | 1 | CONVERSION KIT SERVICED ONLY AS A KIT. SEE PAGE 08-0064 | |
| | 535183D1 | 1 | INSTRUCTIONS NOT SHOWN | |

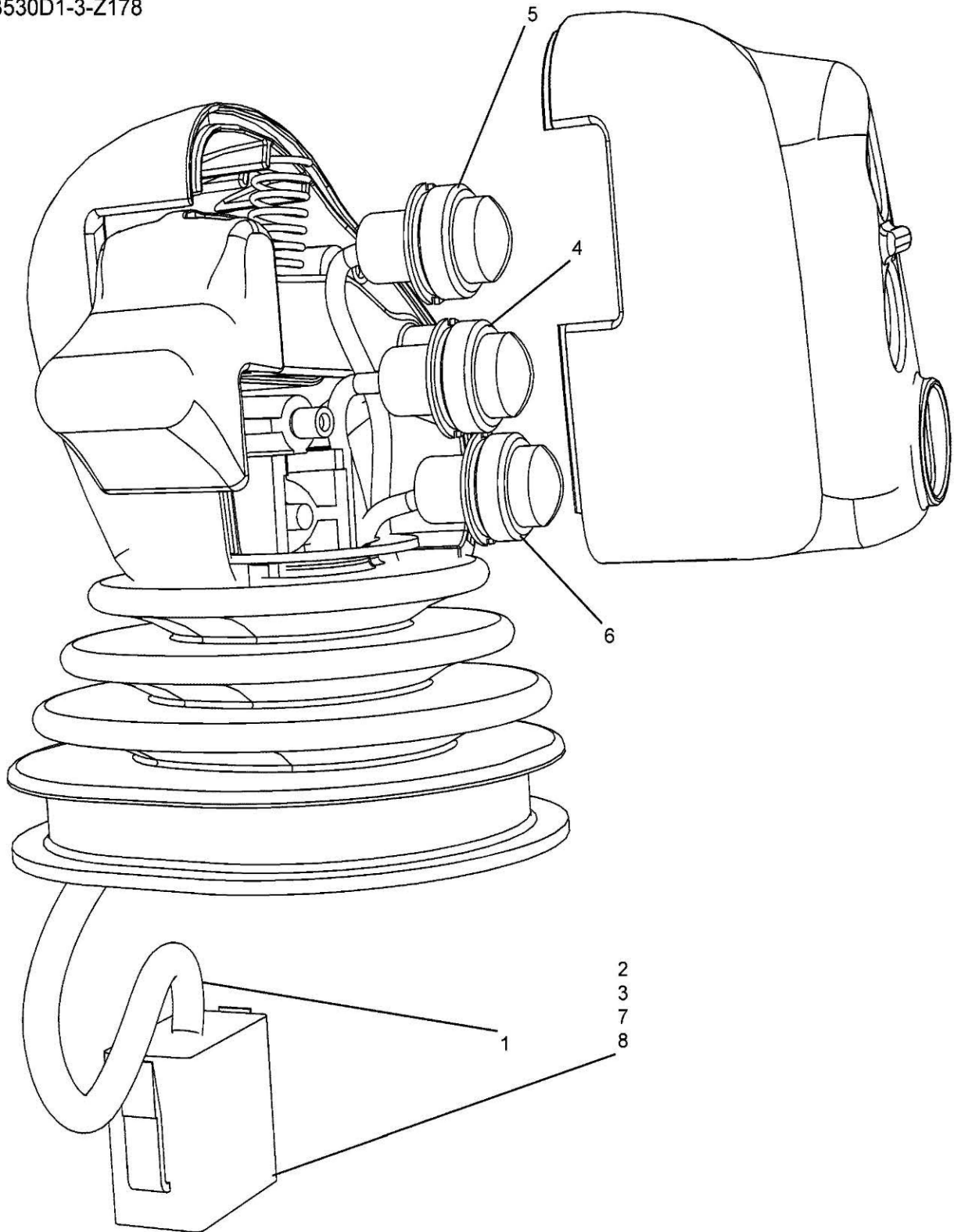
529601D1-02-T758



529601D1 - PTO KIT, FIELD INSTALLATION

| ITEM | PART NUMBER | QTY | DESCRIPTION COMMENTS | TECHNICAL SPECIFICATION |
|------|-------------|-----|----------------------------------------------------------------------------------------------------|-------------------------|
| | 529601D1 | 1 | PTO KIT | |
| 1 | NS | 1 | NON-SERVICEABLE PART POWER TAKE OFF SEE PAGE 15-0001 SEE PAGE 15-0002 SEE PAGE 15-0003 | |
| 2 | 501532D1 | 1 | INFORMATIONAL DECAL | |
| 3 | 502009D1 | 1 | PTO ON/OFF SWITCH | |
| 4 | NS | 1 | NON-SERVICEABLE PART POWER TAKE OFF | |
| 5 | NS | 1 | NON-SERVICEABLE PART SEE PAGE 15-0004 | |

533530D1-3-Z178



533530D1 - TRANSMISSION CONTROL HANDLE PUSHBUTTON SWITCHES KIT

| ITEM | PART NUMBER | QTY | DESCRIPTION COMMENTS | TECHNICAL SPECIFICATION |
|------|-------------|-----|----------------------------------------|-------------------------|
| | | | APPLIES TO ALL TRACTORS BUILT. | |
| | 533530D1 | 1 | PUSH BUTTON SWITCH KIT COMPLETE KIT | |
| 1 | 100-6651 | - | COVER BULK: 29 CM | |
| 2 | 400472X1 | 3 | PLUG SEALING | |
| 3 | 400499X1 | 1 | LOCK | |
| 4 | 529206D1 | 1 | PUSH-BUTTON SWITCH | |
| | 502122D1 | 1 | PUSH BUTTON CAP ORANGE | |
| 5 | 529207D1 | 1 | PUSH-BUTTON SWITCH | |
| | 502122D1 | 1 | PUSH BUTTON CAP ORANGE | |
| 6 | 529208D1 | 1 | PUSH-BUTTON SWITCH | |
| | 502122D1 | 1 | PUSH BUTTON CAP ORANGE | |
| 7 | CH169-8674 | 1 | PLUG CONNECTOR | |
| 8 | 400715X1 | 9 | ELECTRICAL CONNECTOR | 16-18 AWG |